



Studio

Cassette & Freestanding Range



User Instructions
Instructions d'utilisation
Istruzioni per l'utilizzo

GENERAL POINTS

IMPORTANT

THE OUTER CASING, FRONT AND GLASS PANEL BECOME EXTREMELY HOT DURING OPERATION AND WILL RESULT IN SERIOUS INJURY AND BURNS IF TOUCHED. IT IS THEREFORE RECOMMENDED THAT A FIREGUARD COMPLYING WITH BS 8423 (LATEST EDITION) IS USED IN THE PRESENCE OF YOUNG CHILDREN, THE ELDERLY OR INFIRM.

Do not attempt to burn rubbish in this appliance. Please read these Instructions carefully before installation or use.

Keep them in a safe place for future reference and when servicing the fire. Before installation and/or use of this appliance please read these instructions fully and carefully to ensure that you have fully understood their requirements.

The appliance must be fitted by a registered installer, or approved by your local building control officer.

All local regulations, including those referring to national and European Standards need to be complied with when installing the appliance.

Only use for domestic heating in accordance with these operating instructions.

You must burn only approved fuels. Do not use with liquid fuels or as an incinerator.

Appliance surfaces become very hot when in use. Use a suitable fireguard if young children, elderly or infirm persons are present. Stovax offer firescreens, sparkguards and hearthgate systems for protection. Your Stovax dealer can advise you about these products.

Do not place photographs, TV's, paintings, porcelain or other combustible items on the wall or near the appliance. Exposure to hot temperatures will cause damage. Do not place furniture or other items such as drying clothing closer than 1m from the front of this appliance.

WARNING: Extra fuel should not be stored on or next to the appliance. Only keep enough fuel for immediate use nearby and never leave the appliance unattended for long periods with any combustible material in close proximity.

Extractor fans or cooker hoods must not be placed in the same room or space as this can cause appliance to emit fumes into the room.

Do not obstruct inside or outside ventilation required for the safe use of this appliance.

Do not make unauthorised changes to the appliance.

The chimney must be swept at least once a year.

Do not connect, or share, the same flue or chimney system with another appliance.

WARNING



Properly installed, operated and maintained this appliance will not emit fumes into the room but occasional fumes from de-ashing and refuelling may occur.

Persistent fume emission is potentially dangerous and must not be tolerated.

If fume emission persists:

- Open doors and windows to ventilate the room.
- Leave the room.
- Allow fire to burn out or safely dispose of fuel from the appliance.
- Check for chimney blockage and clean if required.
- Do not attempt to relight until the cause of the emission has been identified and corrected.
- If necessary seek expert advice.
- All open flued appliances can be affected by temporary atmospheric conditions which may allow fumes to enter the house. Because of this an electronic carbon monoxide detector conforming to the latest edition of BSEN50291 must be fitted in the same room as the appliance. The existence of an alarm must not be considered a substitute for ensuring regular servicing and maintenance of the appliance and chimney system.

IF THE ALARM SOUNDS FOLLOW THE INSTRUCTIONS GIVEN ABOVE.

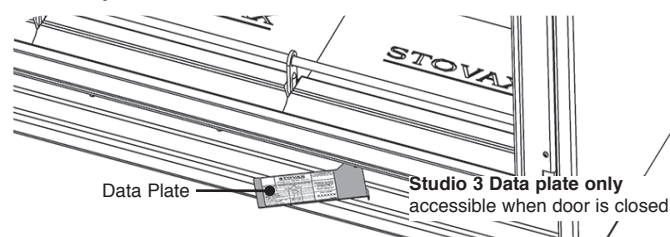


IMPORTANT: Stovax provide gauntlet style gloves for the users protection from heat and any sharp edges when using the appliance. For your safety ensure that gloves are always worn when opening, operating, refuelling or handling internal metalwork.

SERIAL NUMBER

This number is required when ordering spare parts or making warranty claims.

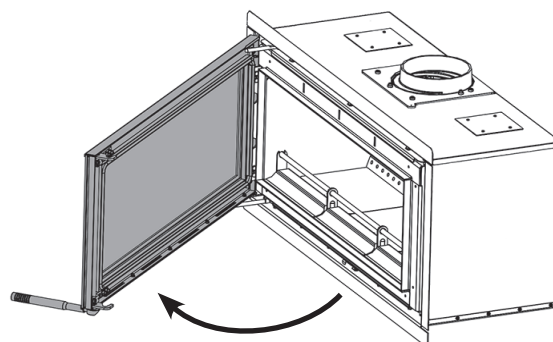
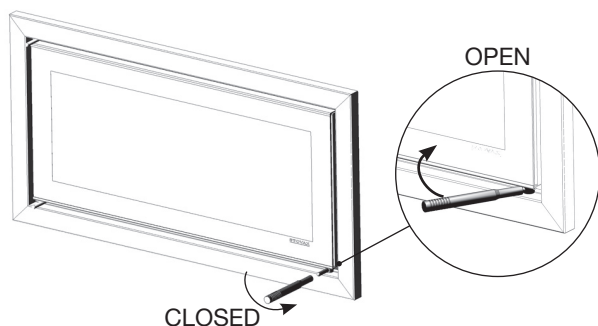
The data plate is found:



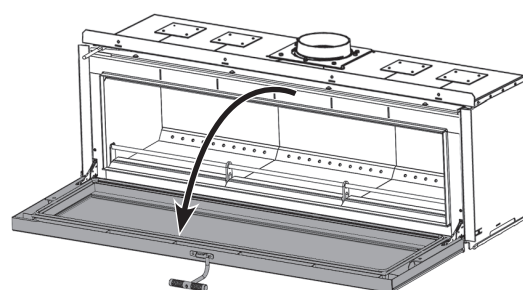
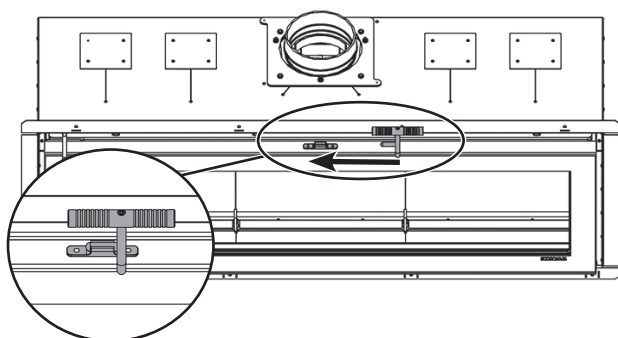
GETTING STARTED

OPENING THE DOOR

STUDIO 500, 1 & 2



STUDIO 3



CLEAN BURNING & YOUR STOVE

Stovax products are designed to produce secondary heating for your home and are designed to minimise atmospheric emissions which come from the burning of wood. However, this does require the following lighting technique and good quality fuel to optimise the start-up of the stove and get the flue up to operating temperature.

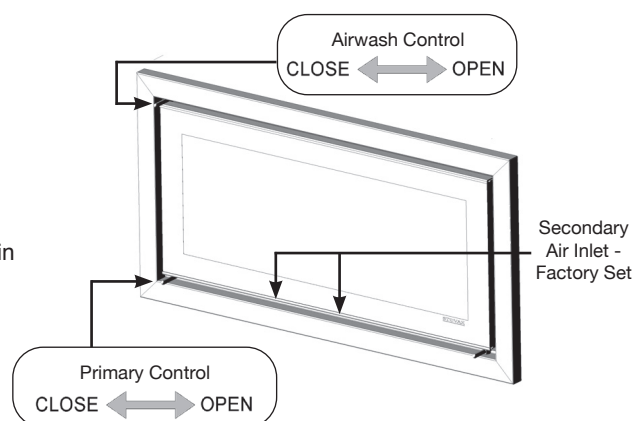
Stovax recommend you familiarise yourself with the operation of the fire, the correct type of seasoned fuel and stacking methods in order to get the best performance from your appliance.

Effect, cleaning burn is achieved by the right flue draft conditions and the quality of the fuel used. Experience will help establish the preferred settings for use and ensure the optimum fuel consumption.

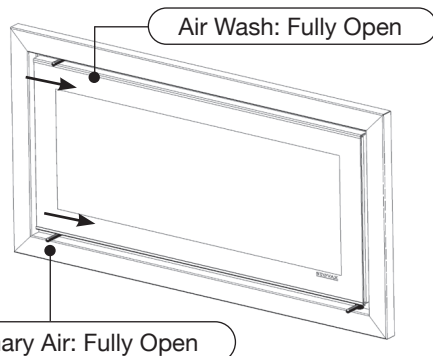


AIR CONTROLS

- Set the air controls to 50% to keep the appliance ventilated and stop the build-up of any moisture inside when the appliance is not in use for long periods of time.
- If there is still burning fuel in the firebox, do not shut down the air controls completely unless there is a chimney fire in progress
- Closing the controls during the burning process will cause poor combustion and could lead to a build up of gasses that could ignite dangerously.
- Always have enough air entering the stove to maintain some flame within the firebox.
- If it is necessary to shut down the appliance then run on a high setting until all of the fuel has been burnt before closing the air controls.

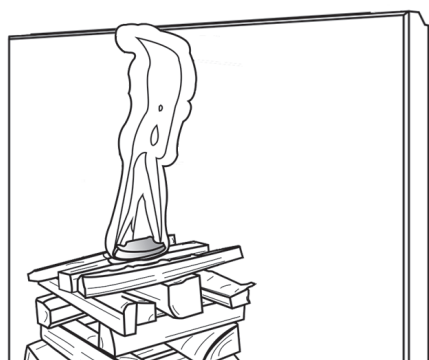
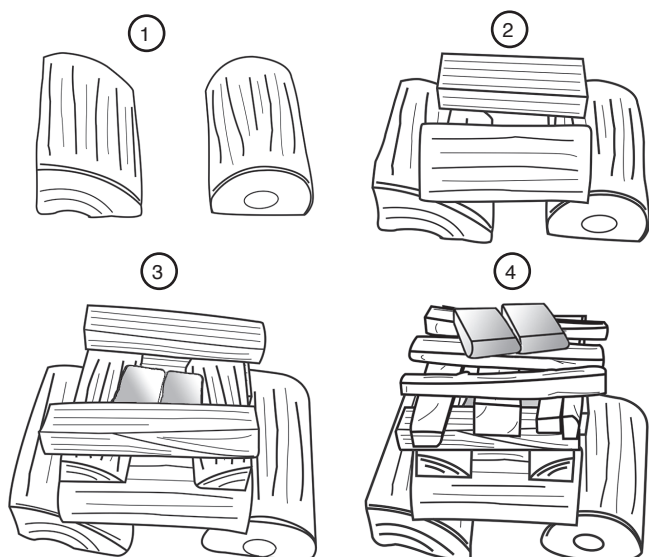


LIGHTING



To create an open stack for top down lighting:

- Place two medium sized logs parallel on the base of the firebox.
- Place two smaller logs on top running parallel across the bottom logs.
- Continue to build the stack using smaller logs and place firelighters in the centre.
- Finish the stack by adding two further logs and placing firelighters on top. Add extra smaller kindling.



NOTE: Kindling is essential to allow the firebox to reach the correct operating temperature quickly. Incorrect start up can lead to excessive smoke and the fire going out when the door is shut. A successful fire initially requires plenty of kindling to establish a hot firebox and warm the chimney to aid flue performance.

Kindling:

Finely chopped wood

Length 250mm

Diameter: 20mm

Weight per lighting: 2.0 kg (approx 8-12 finely chopped pieces)

Close the door immediately to prevent excess products of combustion entering the room.

Be sure to use split logs and not whole pieces of wood. Too much fuel in the firebox will cause the appliance to reach higher temperatures than intended. This can damage the interior components of the fire.

Suggested Loads:

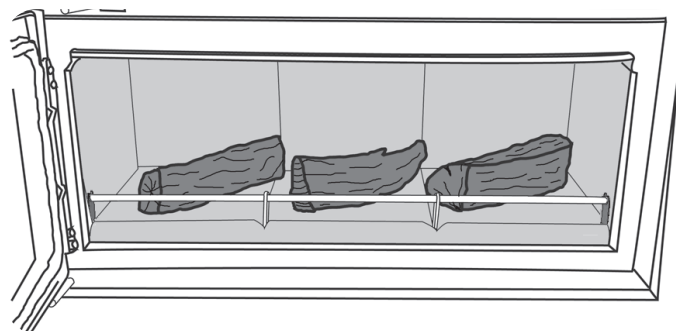
Studio 500 - 2/3 logs no bigger than 5" (80mm) diameter

Studio 1 & 2 - 3/4 logs no bigger than 5" (127mm) diameter

Studio 3 - 4/5 logs no bigger than 5" (127mm) diameter

Fuel Loading:

These are wide appliances and the logs should be laid out in a single layer with gaps between



WARNING: DO NOT OPERATE THE APPLIANCE WITH THE PRIMARY AIR CONTROL OPEN FOR LONG PERIODS OF TIME AS THIS COULD CAUSE OVER-FIRING AND MAY CAUSE PERMANENT DAMAGE.



USING THE APPLIANCE FOR THE FIRST TIME

To allow the appliance to settle, and fixing glues and paint to fully cure, operate the appliance at a low temperature for first few days.

Do not touch the paint during the first period of use.

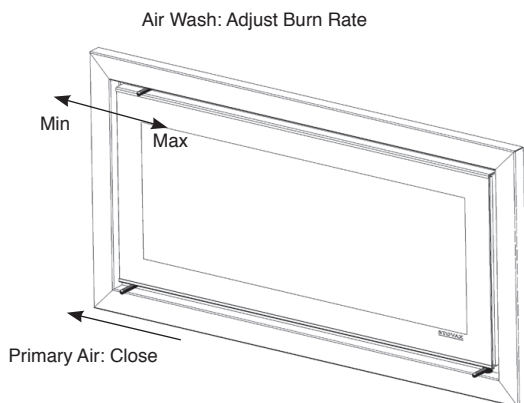
During this time the appliance may give off some unpleasant odours. Keep the room well ventilated to avoid a build-up of fumes.

Please be aware that, during use, rope seals may discolour. This is normal.

RUNNING THE APPLIANCE

BURNING WOOD

Close the **Primary air control** and use the **Airwash** to control the burn rate when appliance is at operating temperature



Wood burns best on a bed of ash (approx. 25mm (1") deep).

Do not burn large amounts of fuel with the **Airwash Control** closed for long periods of time. This reduces the glass cleaning effect of the Airwash and causes tars and creosotes to build-up in the appliance and flue system.

When in use, burning the appliance at a high temperature for a short period reduces tars and creosotes.

WARNING: DO NOT OPERATE THE APPLIANCE WITH THE PRIMARY AIR CONTROL OPEN FOR LONG PERIODS OF TIME AS THIS COULD CAUSE OVER-FIRING AND MAY CAUSE PERMANENT DAMAGE.

Experience establishes settings to suit personal preference.

REFUELLING

Open the Primary Air and Airwash controls fully.

Rake the embers evenly over the firebed to establish a glowing firebed. If the firebed is low add a small amount of kindling wood to help re-establish the fire.

Do not refuel when a large amount of flames are in the firebox as this could cause smoke or flames to spill into the room.

Close the doors immediately after refuelling.

These are wide appliances and the logs should be laid out in a single layer with gaps between.

Do not stack the logs on top of each other as this could effect the efficiency.

DO NOT OVERLOAD THE APPLIANCE AS TOO MUCH FUEL COULD CAUSE IT TO OVER-FIRE.

After refuelling:

Burn the new logs at high output for a few minutes before closing the Primary Air control. Adjust the burn rate using the Airwash control.

Do not close the air controls until the fire is burning well.

Do not burn large amounts of fuel with the **Airwash control** closed for long periods of time. This reduces the glass cleaning effect, causes tars and creosotes to build-up in the appliance and flue system and will produce excessive amounts of smoke.

When running the appliance **refuel little and often for clean, efficient burning.**

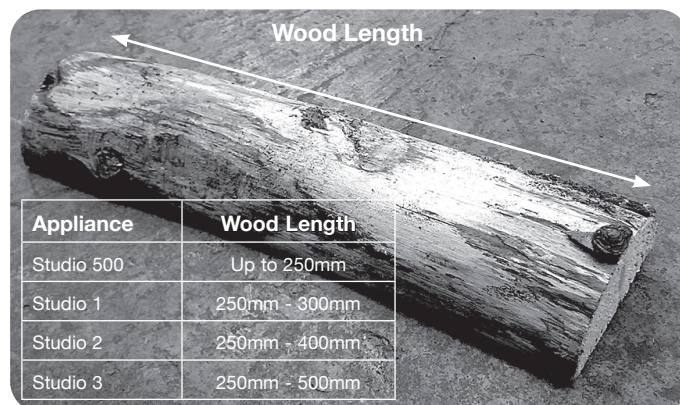
A bright and clean firebox indicates the appliance is burning well.

Do not burn continuously with the door open.

RECOMMENDED FUELS

WOOD LOGS:

Burn only seasoned timber with a moisture content of less than 20%. To ensure this allow cut wood to dry for 12 to 18 months.



Poor quality timber:

- Causes low combustion efficiency
- Produces harmful condensation
- Reduces effectiveness of the airwash and life of the appliance

DO NOT BURN construction timber, painted, impregnated / treated wood, manufactured board products or pallet wood. DO NOT USE any form of candle as fuel. Melted wax will damage the appliances moving parts.

DESCRIPTION	FUEL CONSUMPTION
	KG/HOUR WOOD
Studio 500	1.62
Studio 1	1.6
Studio 2	2.7
Studio 3	4.0

A number of factors can affect the performance of the appliance. See Troubleshooting Section for details.

FUEL OVERLOADING

The maximum amount of fuel specified in this manual should not be exceeded, overloading can cause excess smoke.

CHOOSING FUEL:

All types of wood can be used as fuel in the appliance. Different types of wood have different densities: the greater the density of the wood the greater the energy value.

Oak, beech and birch have the highest value.

The correct moisture content for firewood that is ready to burn is below 20% moisture content.

If wood is too wet, it will be difficult to light, struggle to burn, give very little heat output and tar up the flue.

This could lead to a chimney fire, so it is important to burn sufficiently dried firewood.

Dry wood gives more heat output, avoids blackening the appliance glass and there is minimal soot build up in the chimney or flue. More heat output equals less fuel.



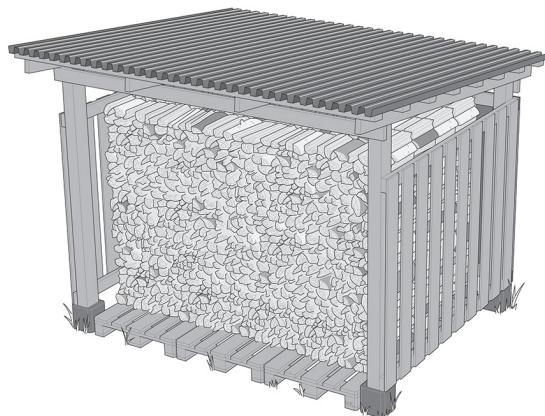
Do not burn construction timber, painted, impregnated / treated wood, manufactured board products or pallet wood.

Wood Storage:

To ensure thoroughly dry wood, cut in winter and store under a roof with plenty of room for air circulation.

Do not cover completely, leave a gap for air to pass over the wood and do not seal.

Bring wood intended for use inside and store for a few days prior to burning to ensure that the moisture has been sufficiently decreased.



ASH REMOVAL

Wood burns best on a bed of ash

Do not allow ash to build up in the appliance as it will not burn properly and may cause damage.

Remove ash with a small shovel (available from Stovax). Take care not to damage the ceramic lining of the appliance. Do not use sharp pointed pokers.

Remove ash carefully - heat can remain long after use.

Carefully place the ash into a Stovax Ash Caddy.

Do not place hot ash in a container made from plastic or any other combustible material.

OVER-FIRING

Do not over-fill with fuel or run at high temperatures for long periods or over-firing can occur.

DO NOT OPERATE THE APPLIANCE WITH THE PRIMARY AIR CONTROL OPEN FOR LONG PERIODS OF TIME AS THIS COULD CAUSE OVER-FIRING AND MAY CAUSE PERMANENT DAMAGE.

Over-firing can cause permanent damage to the appliance and invalidate the product warranty.

CHIMNEY FIRE

If a chimney fire occurs:

- Shut all air controls immediately.
- Evacuate the building.
- Call the fire brigade.
- Do not re-enter the building until it is confirmed safe.

Do not use the appliance after a chimney fire until:

a) **It has been inspected by a registered installer, confirming the appliance is safe to use.**

b) The chimney system has been inspected and swept by a chimney sweep, confirming the system is structurally sound and free from obstruction*.

c) **It is repaired as required before re-use.** Use only genuine Stovax replacement parts to keep your appliance in safe, efficient working order.

GENERAL CLEANING

Clean and inspect the appliance regularly, especially in periods of heavy use. Regular cleaning and maintenance will help give many years of safe use.

Allow appliance to cool thoroughly to avoid risk of burns.

Clean regularly, according to level of use.

Remove the ash completely.

Check internal components for damage - grates, bricks, baffles - and for obvious build up of soot, ash or debris above the flue baffle(s) (these can be found in the upper part of the firebox). Use a torch if necessary.

If there are any signs of a build up of debris above the flue baffle(s) either:

- Arrange for the chimney to be swept.
- Remove the baffles and clear the debris.

To refresh painted finishes a touch up spray is available. Contact your Stovax retailer quoting the serial number found on the appliance data badge.

Do not use aerosol sprays near an operating appliance.

CLEANING GLASS

Keep the glass clean with correct use of the Airwash system and good quality fuel.

Sometimes additional cleaning may be required. Before undertaking this operation allow appliance to cool fully. Do not clean hot glass.

On appliances with printed glass do not use cleaning agents that have a high alkaline or acidic content, these are aggressive cleaning agents designed to be used with heavily stained clear glass. On printed glass surfaces, use Stovax Glass Cleaner (Stovax No.4103) which is better formulated for this application.

Before applying a cleaning agent remove any dust and loose soot with a damp cloth.

Use an appropriate glass cleaner. Apply the cleaning fluid to a cloth before rubbing onto the glass. Apply carefully and do not apply excessively. Try to prevent any run off which could soak into the rope seals around the edge of the glass. Soot can also contain acidic particles that can cause corrosive damage to printed glass.

Remove dirt with a moist cloth and buff dry.

Some types of wood can cause a white residue to form on the glass.

If this occurs it should be cleaned off at least once a week during periods of heavy usage.

If the liquid cleaning agents recommended do not remove this residue Stovax offer a dry cleaning pad which will help remove heavy stains.

Before relighting the appliance ensure the glass is fully dried.

If the rope seal has absorbed excess cleaning agent it is advisable to replace the rope as soon as possible to preserve the printed finish of the glass.

CHIMNEY SWEEPING

To maintain safe and efficient use of the appliance, the chimney/flue must be inspected and swept at least once a year by a qualified chimney sweep.

If the appliance is used continuously throughout the year, or it is used to burn wood, more frequent sweeping is recommended.

The best time to have the chimney swept is at the start of the heating season.

The chimney, any connecting flue pipe and the appliance flue ways, if incorporated, must be regularly cleaned.

Ensure adequate access for cleaning where it is not possible to sweep through the chimney.

If the chimney is believed to have previously served an open fire it must be swept a second time within a month of regular use after installation.

CO ALARMS

Building regulations require that whenever a new or replacement fixed solid fuel or wood/biomass appliance is installed in a dwelling a carbon monoxide alarm, complying with BS EN50291, must be fitted in the same room as the appliance.

HETAS recommend the unit is permanently fixed in accordance with the manufacturer's installation instructions or with the guidance contained in Approved Document J where no other information is available.

Provision of an alarm must not be considered a substitute for either installing the appliance correctly or ensuring regular servicing and maintenance of the appliance and chimney system.

SEASONAL USE

Clean and service the appliance if not used during the warmer months, as detailed in the *Maintenance and Servicing* section. Set the air controls to 50% to keep the appliance ventilated and stop the build-up of any moisture inside.

Before re-lighting the appliance:

- Remove the baffles.
- Clear any debris that may have accumulated.
- Check the flue is clear of any blockages.

SERVICING AND SUPPORT



Servicing and Support

To keep your appliance looking and performing at its best, it must be serviced annually. This service must be undertaken by a suitably qualified individual and your retailer can organise this for you. Alternatively, Stovax offer a manufacturers premium service with our friendly team of qualified engineers which can be booked at www.stovax.com/support

OPTIONAL EXTRAS

OUTDOOR AIR KIT

This appliance can be fitted with an optional kit to help bring air directly into the appliance from outside. The For installation and operating procedures you must refer to the instructions supplied with the Outside Air kit.

WARM AIR DUCTING KIT

This appliance can be fitted with an optional Warm Air Ducting kit to help circulate warm air to other room in the house.

This operation may require additional ventilation in order to comply with building regulations and a qualified installer should be consulted before fitting.

The Ducting kit must be fitted at the time of installation. For installation and operating procedures you must refer to the instructions supplied with the Warm Air Ducting kit.

TROUBLESHOOTING

Operation - Difficulty starting and maintaining a fire

- Ensure the wood used is less than 20% moisture.
- Warm the flue through the stove using a blowtorch or some newspaper.
- Ensure all air controls are being operated correctly.
- Open a nearby window to test the airflow in the room.
- Make sure the airways and flue are swept and in good condition. Any full or partial blockage will effect the performance of the appliance.
- Re-read the lighting instructions and ensure the correct procedure is followed including fuel amounts.

Glass Blackening

When burning wood and solid fuel there will always be some discolouration of the glass. However excessive build can be caused by:

- Wood with a moisture content of greater than 20% will have poor combustion and smoke, giving off tar and creosote.
- Low combustion temperature. This will not create sufficient flue draft leading to poor combustion and a fire that produces more smoke.
- Incorrect fuelling/refuelling leading to a poor fire or one that touches the glass.

Excessive smell of Smoke

- Weather conditions can result in wind blowing down the chimney when coming from certain directions.
- Door opened when lots of flames remained in the firebox.

Parts have become discoloured

- To allow the appliance to settle, and fixing glues and paint to fully cure, operate the appliance at a low temperature for first few days.
- Do not touch the paint during the first period of use.
- During this time the appliance may give off some unpleasant odours. Keep the room well ventilated to avoid a build-up of fumes.
- Please be aware that, during use, paint and rope seals may discolour. This is normal.

Warranty Issues - for full warranty terms and conditions see the booklet supplied with your appliance.

Should you experience problems with your Stove or Fireplace, any claim must be submitted first to the Expert Retailer from whom the product was purchased. Your Expert Retailer will either be able to offer immediate assistance or having visited you make contact with Stovax on your behalf. For a Service call to be arranged Stovax will require proof of registration, commissioning documents and service history if applicable (Service history required for all product over 12-months old). Any Warranty claim without the required information will be referred back to your Expert Retailer from whom you purchased it.



Due to continual technical improvements please check online or with your Stovax retailer for the most up to date parts lists.

Only use Genuine Stovax spares when servicing your appliance.

All of our essential spare parts and consumable items are available to purchase from our webshop at www.stovaxspares.com.

THE CLEAN AIR ACT 1993 AND SMOKE CONTROL AREAS

The Clean Air Act 1993 and Smoke Control Areas

Under the Clean Air Act local authorities may declare the whole or part of the district of the authority to be a smoke control area. It is an offence to emit smoke from a chimney of a building, from a furnace or from any fixed boiler if located in a designated smoke control area. It is also an offence to acquire an “unauthorised fuel” for use within a smoke control area unless it is used in an “exempt” appliance (“exempted” from the controls which generally apply in the smoke control area).

In England appliances are exempted by publication on a list by the Secretary of State in accordance with changes made to sections 20 and 21 of the Clean Air Act 1993 by section 15 of the Deregulation Act 2015. Similarly in Scotland appliances are exempted by publication on a list by Scottish Ministers under section 50 of the Regulatory Reform (Scotland) Act 2014. In Wales and Northern Ireland these are authorised by regulations made by Welsh Ministers and by the Department of the Environment respectively.

Further information on the requirements of the Clean Air Act can be found here at:
<https://www.gov.uk/smoke-control-area-rules>

Refuelling to a low fire bed

If there is insufficient burning material in the firebed to light a new fuel charge, excessive smoke emission can occur. Refuelling must be carried out onto a sufficient quantity of glowing embers and ash that the new fuel charge will ignite in a reasonable period. If there are too few embers in the fire bed, add suitable kindling to prevent excessive smoke.

Fuel Overloading

The maximum amount of fuel specified in this manual should not be exceeded, overloading can cause excess smoke.

Operation with the door left open

Operation with the door open can cause excess smoke. The appliance must not be operated with the appliance door left open except as directed in the instructions.

Air Controls left open

Warning: Do not operate the appliance with the Primary Air Control open for long periods of time as this could cause over-firing, increased smoke emissions and may cause permanent damage.

CO Alarms

Building regulations require that whenever a new or replacement fixed solid fuel or wood/biomass appliance is installed in a dwelling a carbon monoxide alarm, complying with BS EN50291, must be fitted in the same room as the appliance. Further guidance on the installation of the carbon monoxide alarm is available in the latest edition of BS EN50292 and from the alarm manufacturer's instructions.

Provision of an alarm must not be considered a substitute for either installing the appliance correctly or ensuring regular servicing and maintenance of the appliance and chimney system.

The following Studio appliances (Model No: 326-140/ 726-006/ RVST-1EU/ RVST-2EU/ RVST-3EU/ RVFST-1EU/ RVFST-2EU/ RVFST-3EU) have been recommended as suitable for use in smoke control areas when burning wood logs. These appliances (Model No: 326-140/ 726-006/ RVST-1EU/ RVST-2EU/ RVST-3EU/ RVFST-1EU/ RVFST-2EU/ RVFST-3EU) are fitted with the appropriate permanent stop for the model (supplied by Stovax) to prevent full closure of the secondary air inlet slots.

UK SMOKE CONTROL AREAS

This appliance is suitable for use in a Smoke Control Area when burning wood and following the instructions for use specified in this manual but ONLY if the Smoke Control stop has been enabled. The Studio has been independently tested to PD6434 making it exempt from the controls that generally apply in Smoke Control Areas.

THE SMOKE CONTROL FACILITY IS SUPPLIED DISABLED AND MUST THEREFORE BE MODIFIED BEFORE INSTALLATION IN ORDER FOR THE APPLIANCE TO MEET THE REQUIREMENTS OF A SMOKE CONTROL AREA AND MUST BE OPERATED CORRECTLY TO MINIMISE THE AMOUNT OF SMOKE PRODUCED.

Any modifications to the setting should only be done by a suitably qualified installer and must be done at the time of installation.

LEGAL REQUIREMENTS

Before installation and/or use of this appliance please read these instructions carefully to ensure that all requirements are fully understood.

The appliance must be fitted by a registered installer, or approved by your local building control officer.

It is very important to understand the requirements of the national Building Regulations and standards, along with any local regulations and working practices that may apply. Should any conflict occur between these instructions and these regulations then the regulations must apply.

Your local Building Control Office can advise regarding the requirements of the regulations.

HEALTH AND SAFETY PRECAUTIONS

Works must be carried out with care to meet the requirements of Health and Safety and comply with the Health and Safety rules, and any new regulations introduced during the lifetime of these instructions. Particular attention should be drawn to:

- **Handling:** The appliance is heavy. Adequate facilities must be available for loading, unloading and on site handling.
- **Fire Cement:** Some fire cement is caustic and must not come into contact with the skin. Protective gloves must be worn. Wash hands thoroughly with plenty of water after contact with skin.
- **Asbestos:** This appliance contains no asbestos. If there is the possibility of disturbing any asbestos in the course of installation seek specialist guidance and use appropriate equipment.
- **Metal Parts:** Take care when installing or servicing the stove to avoid personal injury.

A faulty installation can cause danger to the inhabitants and structure of the building.

For users of this appliance:

Your building insurance company may require you to inform them that a new heating appliance has been installed on your property. Check that your cover is still valid after installing the appliance.

Combustion Air Supply:

This appliance requires a constant supply of air to maintain proper combustion and effective flue performance.

An inadequate air supply can result in poor combustion and smoke entering the room which is potentially dangerous.

This supply of air can come from either:

- Purpose provided ventilation.
- Some Stovax appliances can also be fitted with an optional outdoor air kit which allows air to be drawn in from the outside.

The amount of air required must comply with local building regulations and the rules in force.

If spillage is detected during commissioning then there may be insufficient natural ventilation and an additional air supply will be necessary.

Permanent air vents should be non-adjustable and positioned where they are unlikely to become blocked.

Extractor fans or cooker hoods must not be placed in the same room or space as this can cause the appliance to emit fumes into the room.

Aerosol Sprays

Do not use an aerosol spray on or near the appliance when it is alight.

Combustible Materials in the home

Do not place photographs, TV's, paintings, porcelain or other combustible items on the wall or near the appliance. Exposure to hot temperatures will cause damage. Do not place furniture or other items such as drying clothing closer than 1m from the front of this appliance.

WARNING: Extra fuel should not be stored on or next to the appliance. Only keep enough fuel for immediate use nearby and never leave the appliance unattended for long periods with any combustible material in close proximity.

HEARTH

The appliance must stand on a non-combustible constructional hearth in accordance with Approved Document J.

As this appliance can be installed in an elevated setting it is recommended to increase the 225mm hearth depth to safely contain any falling logs or embers. The higher the appliance is installed the deeper the hearth should be to protect the floor.

The building must have a suitable load-bearing capacity for the hearth and appliance. Consult a structural engineer for advice before proceeding.

Some houses are built using a timber frame construction with high levels of thermal insulation. Isolate the appliance from combustible materials, and provide sufficient ventilation to maintain the heating efficiency.

COMMISSIONING AND HANDOVER

Ensure all parts are fitted in accordance with the instructions.

On completion of the installation allow a suitable period of time for any fire cement and mortar to dry out, before lighting the stove.

Once the appliance is operating check all seals for soundness and check that the flue is functioning correctly and that all products of combustion are vented safely to atmosphere via the chimney terminal.

On completion of the installation and commissioning ensure that the operating instructions for the appliance are left with the customer. Ensure to advise the customer on the correct usage and warn them to use only the recommended fuel for the appliance.

Advise the user what to do should smoke or fumes be emitted from the appliance.

The customer should be warned to use a fireguard to BS 8423:2002 in the presence of children, aged and/or infirm persons.

FLUE AND CHIMNEY

The flue or chimney system must be in good condition. It must be inspected by a competent person and passed for use with the appliance before installation.

Products of combustion entering the room can cause serious health risks.

The following must be checked:

- The construction of the masonry chimneys, flue block chimneys and connecting flue pipe system must meet the requirements of the Building Regulations.
- A flexible flue liner system can be used if certified for use with solid fuel systems and installation complies with manufacturer's instructions and Building Regulations. The flue liner must be replaced when an appliance is replaced, unless proven to be recently installed and in good condition.
- If it is necessary to fit a register plate it must conform to the Building Regulations.
- The minimum height of the flue or chimney must be 4.5m from the hearth to the top of the flue, with no horizontal sections and a maximum of 4 bends. Bends must have angles of less than 45 degrees from the vertical.
- There should be at least 600mm of vertical flue pipe above the appliance before any bends are introduced.
- Ensure the connecting flue pipe is kept a suitable distance from any combustible material and does not form part of the supporting structure of the building.
- The installer must ensure the flue pipe diameter is not less than the diameter of the outlet of the appliance and does not narrow to less than the size of the outlet at any point in the system.
- Make provision to remove the appliance without the need to dismantle the chimney.
- Any existing flue must be confirmed as suitable for the new intended use as defined in the Building Regulations.
- The flue or chimney systems must be inspected and swept to confirm the system is structurally sound and free from obstructions.
- If the chimney is believed to have previously served an open fire it must be swept a second time within a month of regular use after installation to clear any soot falls that may have occurred due to difference in combustion levels.
- The flue exit from the building must comply with local building control rules.
- Chimney heights and/or separations may need to be increased in particular cases where wind exposure, surrounding tall buildings, high trees or high ground could have adverse effects on flue draught.
- Do not connect or share the flue or chimney system with another heating appliance.

Do not connect to systems containing large voids or spaces over 230mm square.

Suitable access must be provided to enable the collection and removal of debris.

The flue must be swept and inspected when the appliance is installed.

Flue Draught

The flue draught must be checked with all windows and doors closed and any extraction fans in this, or adjoining rooms, running at maximum speed.

PRODUCT MATERIAL INFORMATION

The following substances, preparations or components should be disposed of or recovered separately from other WEEE in compliance with Article 4 of EU Council Directive 75/442/EEC.

Metal	Steel	Can be taken to a local recycling centre for reuse to reduce waste going to landfill.
	Cast iron	
Glass		Can be taken to a local recycling centre for reuse to reduce waste going to landfill.
Vermiculite linings		Non hazardous material. Vermiculite can be crushed up and used for plant bedding and ash used for composting or disposed of at a local recycling centre for reuse to reduce waste going to landfill.
Rope seals		Rope seals are made from Refractory Ceramic Fibre (RCF), a material which is commonly used for this application. Protective clothing is not required when handling these articles, but it is recommended to follow normal hygiene rules of not smoking, eating or drinking in the work area and always wash hands before eating or drinking. When servicing the appliance it is recommended that the replaced items are not broken up, but are sealed within heavy duty polythene bags and labelled as RCF waste. RCF waste is classed as stable, non-reactive hazardous waste and may be disposed of at a licensed landfill site.
Electrical components	(Fan kits etc if applicable)	Dispose of at a local recycling centre in accordance with the WEEE directive.

GÉNÉRALITÉS

IMPORTANT

L'EXTÉRIEUR, LA FACE AVANT ET LA VITRE DE CET APPAREIL, DEVIENNENT TRÈS CHAUDS PENDANT SON UTILISATION ET TOUT CONTACT PEUT ÊTRE LA CAUSE DE BLESSURES GRAVES ET DE BRÛLURES. IL EST DONC FORTEMENT RECOMMANDÉ D'UTILISER UN PAR-FEU EN PRÉSENCE DE JEUNES ENFANTS, DE PERSONNES ÂGÉES OU HANDICAPÉES.

Ne pas essayer d'incinérer des déchets dans ce poêle.

Lire attentivement ces instructions avant d'installer et d'utiliser ce poêle. Conserver ce document en lieu sûr.

Les instructions seront requises pour future référence et pour la maintenance du poêle.

Avant de procéder à l'installation ou d'utiliser cet appareil, veuillez lire l'ensemble de ces instructions avec attention de manière à bien comprendre leurs exigences.

Cet appareil doit être installé par un installateur agréé, ou approuvé par le bureau de contrôle de construction le plus proche.

Toutes les réglementations locales, y compris celles qui se rapportent aux normes nationales et européennes doivent être respectées pendant l'installation du poêle.

Cet appareil ne doit être utilisé que pour le chauffage domestique et conformément à ces instructions d'utilisation.

Ne brûler que des combustibles approuvés. Ne pas utiliser de combustibles liquides ou incinérer des déchets.

Ne pas poser de photos, un écran de télévision, des tableaux, des articles en porcelaine ou autres matériaux combustibles sur le mur ou près de l'appareil. Leur exposition à une haute température peut les endommager.

Ne pas placer de meubles ou d'autres appareils ménagers comme un sèche-linge à moins de 1 m du devant de cet appareil.

AVERTISSEMENT : Toute réserve de combustible ne doit pas être stockée sur ou à proximité de l'appareil. Veuillez ne conserver qu'une quantité de combustible suffisante pour un usage immédiat à proximité et ne laissez jamais l'appareil sans surveillance pendant une période prolongée lorsqu'il y a du combustible à proximité.

Des ventilateurs et des hottes d'extraction peuvent être installés dans la même pièce que l'appareil fournit sous réserve que soit :

- La hotte est à recyclage.
- La hotte n'est pas susceptible de provoquer une dépression suffisante pour entraîner une inversion du tirage du conduit - prise en compte dans le dimensionnement du conduit de fumée selon la NF EN 13384-1.
- Soit l'appareil a une arrivée d'air étanche depuis l'extérieur et fonctionne exclusivement avec les portes fermées.

Ne pas obstruer le dispositif de ventilation intérieur ou extérieur afin d'assurer le bon fonctionnement du poêle en toute sécurité.

Ne pas modifier cet appareil sans autorisation.

La cheminée doit être ramonée au moins deux fois par an dont 1 fois pendant la période d'utilisation.

Ne pas connecter ou partager le même conduit ou la même cheminée avec un autre appareil de chauffage.

AVERTISSEMENT



Cet appareil de chauffage n'émettra pas de fumée dans la pièce s'il est correctement installé, utilisé et entretenu.

De la fumée peut s'échapper occasionnellement pendant le vidage du bac à cendres ou lors du remplissage de combustible.

L'émission persistante de fumée est potentiellement dangereuse et elle ne doit pas être tolérée.

Si l'émission de fumée persiste :

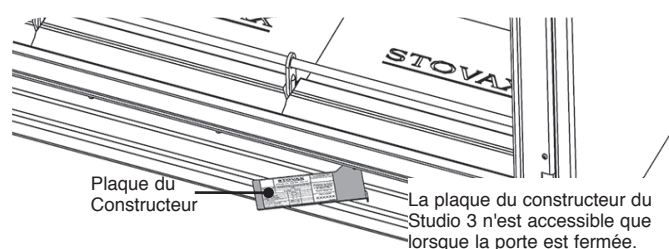
- Ouvrir les portes et les fenêtres pour ventiler la pièce.
- Quitter la pièce.
- Laisser brûler complètement le combustible ou vider le foyer en prenant toutes les précautions nécessaires.
- Vérifier que la cheminée n'est pas obstruée et la ramoner le cas échéant.
- Ne pas tenter de rallumer le poêle avant d'avoir identifié la cause de l'émission de fumée et remédié à ce dysfonctionnement.
- Demander au besoin conseil à un expert.
- Tous les appareils à tirage naturel peuvent être affectés par des conditions atmosphériques temporaires capables de repousser la fumée dans la maison. C'est la raison pour laquelle Stovax recommande la mise en place d'un détecteur de monoxyde de carbone dans la même pièce où est installé l'appareil. La présence d'une alarme ne doit pas être considérée comme un substitut pour un entretien et une maintenance régulière de l'appareil et de la cheminée.

SI L'ALARME RETENTIT, SUIVRE LES INSTRUCTIONS FOURNIES CI-DESSUS.

NUMÉRO DE SÉRIE

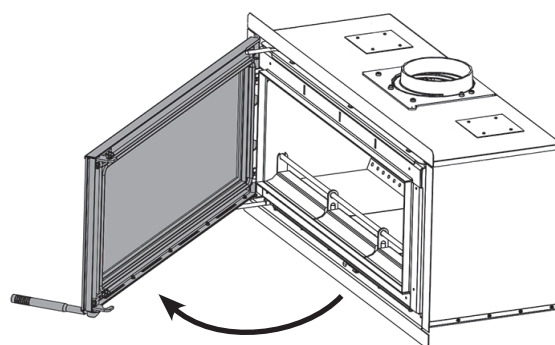
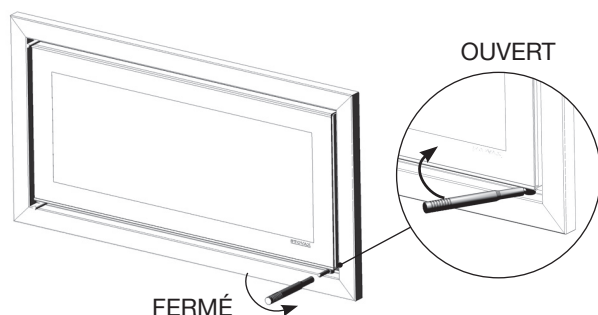
Ce numéro est requis pour commander des pièces de rechange ou faire une demande de dédommagement sous garantie.

La Plaque du Constructeur se trouve :

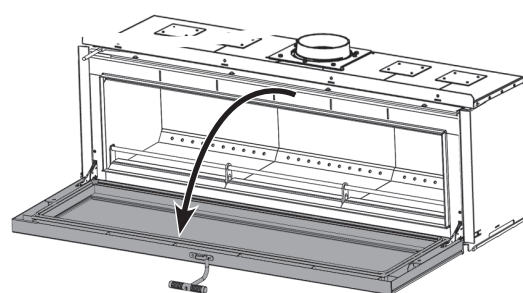
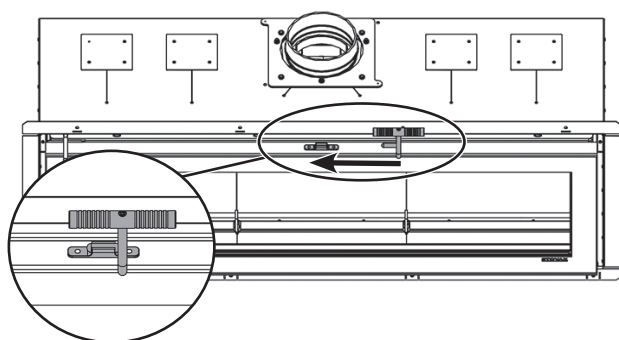


MISE EN ROUTE

OUVERTURE DE LA PORTE - STUDIO 500,1 & 2



STUDIO 3



FLAMMES PROPRES ET VOTRE POËLE

Les produits Stovax ont été conçus pour offrir un chauffage secondaire à votre maison et minimiser les émissions atmosphériques provenant du chauffage au bois. Mais cela exige la technique d'allumage suivante et un combustible de bonne qualité pour optimiser le démarrage du poêle et amener le conduit à la température de fonctionnement.

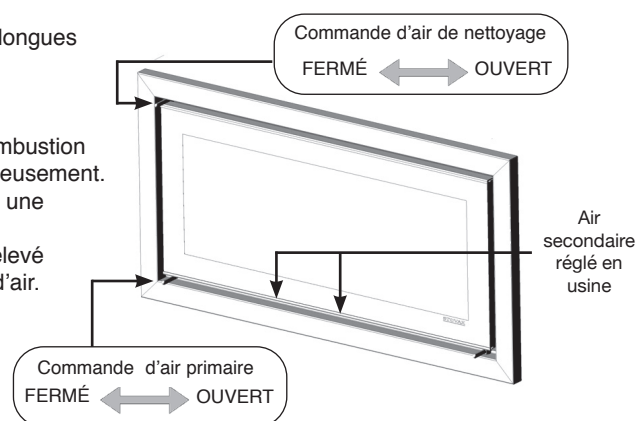
Stovax vous recommande de vous familiariser avec le fonctionnement du feu, le bon type de combustible sec et les méthodes d'empilement pour obtenir les meilleures performances de votre appareil.

L'effet flammes propres est obtenu avec les bonnes conditions de tirage de conduit et la qualité du combustible utilisé. L'expérience permettra de définir les réglages favoris et assurera une consommation optimale de combustible.

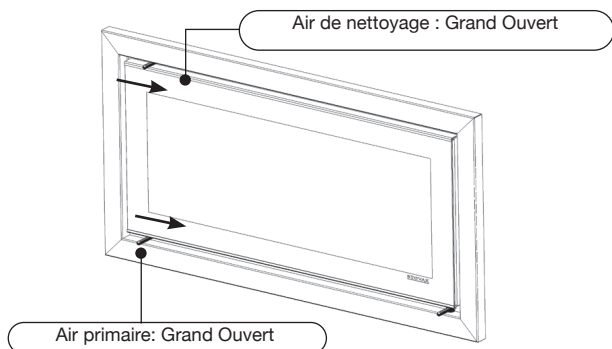


CONTRÔLES DE L'AIR

- Définir les réglages d'air à 50 % pour maintenir l'appareil aéré et arrêter l'accumulation d'humidité à l'intérieur lorsqu'il n'est pas utilisé pendant de longues périodes.
- S'il reste un combustible en train de brûler dans le foyer, ne pas fermer complètement les réglages d'air sauf si un feu de cheminée est en cours.
- Fermer les réglages pendant la combustion provoquera une mauvaise combustion et peut entraîner l'accumulation de gaz qui pourraient s'enflammer dangereusement.
- Toujours laisser suffisamment d'air pénétrer dans l'appareil pour maintenir une flamme dans le foyer.
- S'il est nécessaire d'arrêter l'appareil, faire fonctionner sur un paramètre élevé jusqu'à ce que tout le combustible ait brûlé avant de fermer les réglages d'air.

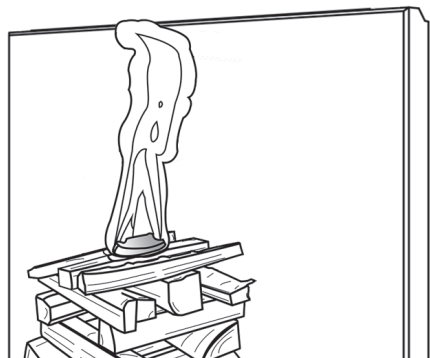
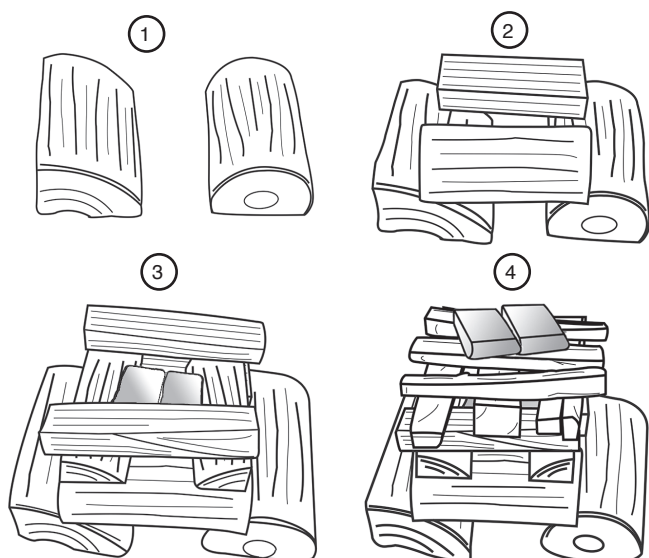


ALLUMAGE



Pour créer une pile ouverte à allumer du haut en bas :

- Disposer parallèlement deux bûches de taille moyenne au fond du foyer.
- Poser deux bûches plus petites par-dessus, parallèles entre elles mais perpendiculaires aux deux premières.
- Continuer à bâtir la pile avec des bûches plus petites et déposer un allume-feu au centre.
- Terminer la pile en ajoutant deux dernières bûches et déposer des allume-feux dessus. Ajouter un peu de petit bois si on le souhaite..



REMARQUE : Le petit bois est indispensable pour que le foyer atteigne rapidement la bonne température de service. Un mauvais démarrage peut produire une fumée excessive et la sortie du feu lorsque la porte est fermée.

Un bon feu demande beaucoup de petit bois pour que le poêle soit chaud et chauffer la cheminée pour une meilleure performance de combustion

Petit bois :

Bois finement coupé

Longueur 250 mm

Diamètre : 20 mm

Poids pour démarrage: 2,0 kg (8 à 12 pièces finement coupées environ)

Fermez immédiatement la porte pour éviter que des produits de combustion en excès ne pénètrent dans la pièce.

Assurez-vous d'utiliser des bûches fendues et non des morceaux de bois entiers. Si le poêle contient trop de combustible, l'appareil atteindra des températures supérieures à la température prévue.

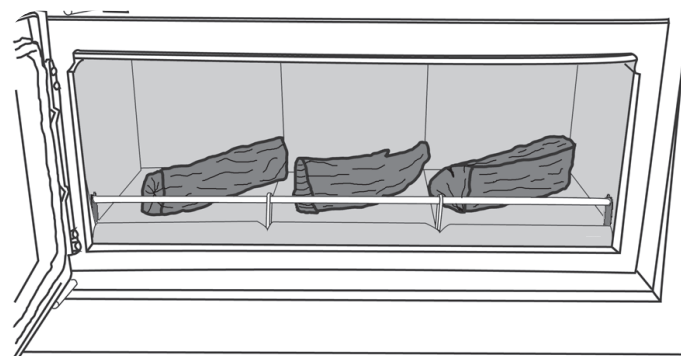
Ceci peut endommager les pièces à l'intérieur du poêle.

Chargements suggérés:

Studio 500 - 2/3 bûches d'un diamètre ne dépassant pas 80mm

Studio 1 & 2 - 3/4 bûches d'un diamètre ne dépassant pas 127mm

Studio 3 - 4/5 bûches d'un diamètre ne dépassant pas 127mm



Fermer la porte et suivre les instructions de fonctionnement de l'appareil.

Ne pas laisser la porte ouverte à cause de l'excès de tirage qui peut entraîner une surchauffe et endommager l'appareil.

AVERTISSEMENT: NE PAS LE FAIRE FONCTIONNER AVEC LA PORTE ENTROUVERTE, SAUF POUR LA PÉRIODE D'ALLUMAGE INITIALE, CAR CELA RISQUE DE PROVOQUER UNE SURCHAUFFE ET D'ENDOMMAGER L'APPAREIL.



UTILISATION DE L'APPAREIL POUR LA PREMIÈRE FOIS

Pour permettre au poêle de se stabiliser et aux colles et peintures de durcir, utiliser le poêle à une puissance modérée pendant les premiers jours.

Ne pas toucher la peinture pendant la période initiale d'utilisation.

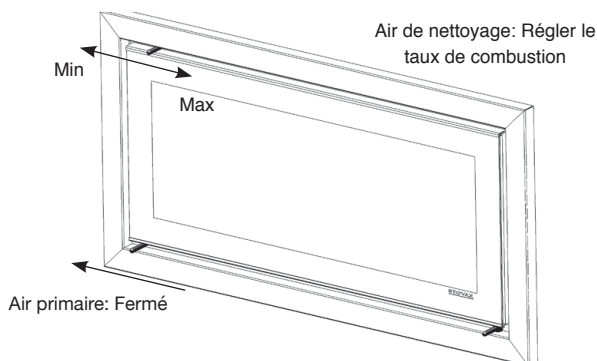
Pendant cette période, la surface de l'appareil émet des odeurs déplaisantes. S'assurer que la pièce est bien ventilée pour éviter l'accumulation de vapeurs

Veuillez noter que les joints d'étanchéité peuvent se décolorer durant l'utilisation. Ceci est normal.

UTILISATION DE L'APPAREIL

FEU DE BOIS

Fermer la commande d'air primaire et utiliser la commande d'air de nettoyage pour contrôler la vitesse de combustion lorsque la température



Le bois brûle mieux sur un lit de braises (environ 25 mm= d'épaisseur).

Ne faites pas brûler de grandes quantités de combustible de façon prolongée lorsque la **commande Airwash** est fermée. Ceci réduit l'effet de nettoyage du verre de la fonction Airwash et entraîne l'accumulation de goudron et de crésote dans l'appareil et dans le conduit de cheminée.

Pour réduire la formation de goudron et de crésote, faire fonctionner l'appareil à haute température pendant une courte période au cours de son fonctionnement.

AVERTISSEMENT : NE PAS FAIRE FONCTIONNER L'APPAREIL AVEC LA COMMANDE DE CIRCULATION D'AIR PRIMAIRE (PRIMARY) DE FAÇON PROLONGÉE CAR CECI PEUT ENTRAÎNER UNE SURCHAUFFE ET ENDOMMAGER L'APPAREIL DE FAÇON PERMANENTE.

L'expérience permet de régler le feu à sa convenance personnelle.

RAVITAILLEMENT

Ouvrir les commandes d'air primaire et du système Airwash à fond.

Ratisser les braises pour les répartir uniformément sur le foyer et obtenir un foyer rougeoyant. Si le foyer est faible, ajouter un peu de petit bois pour aider à relancer le feu.

Ne pas ravitailler si une grande quantité de flammes est présente dans le poêle car de la fumée ou des flammes pourraient s'échapper dans la pièce.

Fermer les portes immédiatement après avoir effectué le ravitaillement.

Ces appareils sont larges et les bûches doivent être déposées en une seule couche en laissant de l'espace entre elles.

Ne pas empiler les bûches les unes sur les autres car ceci pourrait affecter l'efficacité de l'appareil. NE PAS SURCHARGER L'APPAREIL, CAR UNE SURCHARGE DE COMBUSTIBLE PEUT CONDUIRE À UNE SURCHAUFFE DE L'APPAREIL.

Après le ravitaillement :

Faire brûler les nouvelles bûches à haute puissance pendant quelques minutes avant de fermer la commande d'air primaire. Régler le taux de combustion à l'aide de la commande Airwash.

Ne pas fermer les commandes d'air tant que le feu n'est pas bien établi.

Ne pas brûler de grandes quantités de combustible avec la commande Airwash fermée sur de longues périodes. Ceci réduit l'effet autonettoyant du verre, ce qui conduit à une accumulation de goudron et de crésote dans l'appareil et le système d'évacuation et à la production d'une quantité excessive de fumée.

Lors de l'utilisation de l'appareil, **rajouter du combustible souvent et en petites quantités de façon à ce qu'il brûle proprement et efficacement.**

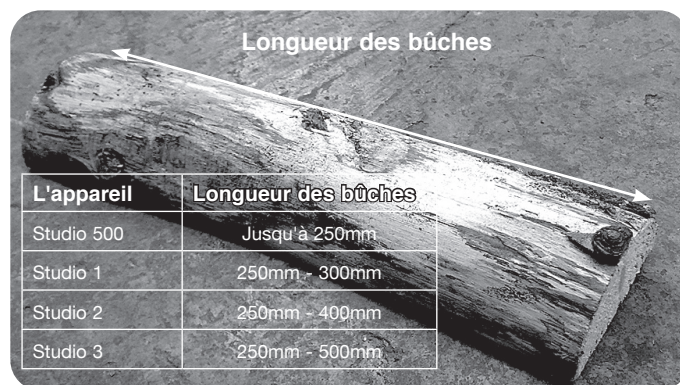
Un poêle propre et lumineux indique que l'appareil brûle bien.

Ne pas brûler de combustible en continu avec la porte ouverte.

COMBUSTIBLES RECOMMANDÉS

Bûches de bois :

Ne brûler que du bois bien séché dont le taux d'humidité est inférieur à 20%. Laisser sécher le bois coupé à la longueur pendant 18 à 24 mois avant de l'utiliser.



Le bois de mauvaise qualité :

- A un faible rendement de combustion
- Produit de la condensation nuisible
- Réduit l'efficacité de l'air de nettoyage et la durée de vie du poêle

Ne pas brûler de bois de construction, de bois peint ou imprégné de produit / traité, ni de produits manufacturés en bois ou des planches de palettes.

Consommation de combustible.

Testée à la puissance nominale conforme à la norme EN 13229: 2001 pour une utilisation intermittente:

DESCRIPTION	CONSOMMATION DE COMBUSTIBLE
	KG/HOUR - BOIS
Studio 500	1.62
Studio 1	1.5
Studio 2	2.3
Studio 3	3.4

Un certain nombre de facteurs peuvent affecter la performance du poêle. Voir la section dépannage pour les détails.

CHOIX DU COMBUSTIBLE :

Tous les types de bois peuvent être utilisés en guise de combustible dans l'appareil. Les différents types de bois ont des densités différentes : plus la densité est élevée, plus grande est la valeur énergétique.

Le chêne, le hêtre et le bouleau possèdent les densités les plus élevées.

La teneur en humidité correcte du bois de chauffage prêt à brûler est inférieure à 20 %.

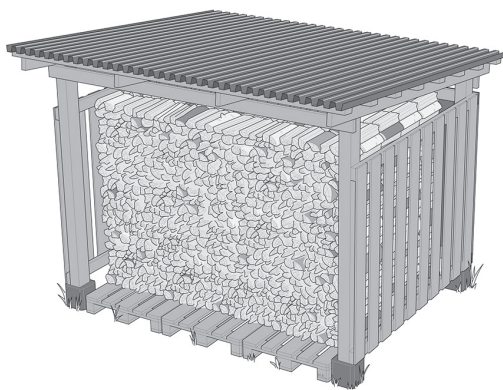
Si le bois est trop humide, il sera difficile à allumer, brûlera à grand-peine, donnera très peu de chaleur et déposera du goudron dans le conduit.

Cela pourrait conduire à un feu de cheminée. Il est donc important de brûler du bois de chauffage bien séché.

Le bois sec donne plus de chaleur, évite de noircir la vitre de l'appareil et dépose très peu de suie dans la cheminée ou le conduit.

Plus de chaleur diffusée signifie moins de combustible consommé.

STOCKAGE DU BOIS :



Pour obtenir du bois bien sec, le couper en hiver et le stocker sous un toit avec beaucoup d'espace pour la circulation d'air.

Ne pas couvrir entièrement, laisser un espace pour que l'air puisse passer au-dessus du bois et ne pas sceller.

Transporter le bois à utiliser à l'intérieur et le stocker quelques jours avant de le brûler pour que l'humidité ait suffisamment diminué.



Ne pas brûler de bois de construction, de bois peint ou imprégné de produit / traité, ni de produits manufacturés en bois ou des planches de palettes.

ENLÈVEMENT DES CENDRES

Le bois brûle mieux sur un lit de cendres. Les armatures surélevées sur la grille donnent une bonne indication de la profondeur idéale.

Ne pas laisser les cendres s'accumuler, car cela risque de provoquer des dommages et d'affecter sérieusement les performances de l'appareil.

Enlever les cendres à l'aide d'un aspirateur à cendre (disponible auprès de Stovax). Faire attention de ne pas endommager le revêtement en céramique de l'appareil. Ne pas utiliser de tisonniers pointus.

Faire attention lors de l'enlèvement des cendres - elles peuvent être chaudes longtemps après l'utilisation.

Déposer les cendres avec précaution dans le collecteur de cendres Stovax.

Ne pas vider les cendres brûlantes dans une poubelle en plastique ou tout autre matériau combustible.

COMBUSTION EXCESSIVE

Ne pas charger le insert excessivement en combustible ou laisser le feu brûler à sa puissance maximum pendant de longues périodes au risque de surchauffer le poêle.

NE PAS FAIRE FONCTIONNER L'APPAREIL PENDANT DE LONGUES PÉRIODES DE TEMPS EN LAISSANT LA COMMANDE D'AIR PRIMAIRE OUVERTE AU RISQUE DE PROVOQUER UNE SURCHAUFFE ET DES DOMMAGES PERMANENTS.

Une combustion excessive peut provoquer des dommages permanents de l'appareil et invalider la garantie du produit.

FEU DE CHEMINÉE

En cas de feu de cheminée:

- Fermer immédiatement toutes les commandes d'air.
- Évacuer le bâtiment.
- Appeler les pompiers.
- Ne pas rentrer dans le bâtiment avant d'avoir été informé qu'il n'y a plus de danger.

Ne pas rallumer le poêle après un feu de cheminée avant que:

- a) Le poêle ait été inspecté par un installateur agréé et que ce dernier confirme que son utilisation ne présente aucun danger.
- b) Le conduit de fumée et la cheminée aient été inspectés et ramonés par un technicien qualifié, qui confirme que le système est structurellement intact et qu'il n'y a aucune obstruction.
- c) **Les réparations requises soient effectuées.** Utiliser uniquement des pièces de rechange Stovax authentiques pour garantir le bon rendement du poêle en toute sécurité.

NETTOYAGE GÉNÉRAL

Nettoyer et inspecter l'appareil régulièrement, particulièrement en périodes d'utilisation intensive. Le nettoyage régulier et la bonne maintenance du poêle garantissent des années de service en toute sécurité.

Laisser le poêle refroidir complètement pour éviter tous risques de brûlure.

Nettoyer le poêle régulièrement en fonction de l'intensité d'utilisation.

Enlever les cendres entièrement.

Vérifier que les éléments internes ne sont pas endommagés - grilles, briques, déflecteurs - et qu'il n'y a pas d'accumulation évidente de suie, de cendres ou de débris au-dessus du ou des déflecteurs (ils se trouvent dans la partie supérieure du foyer). Utiliser une lampe électrique le cas échéant.

En cas d'accumulation de débris au-dessus du ou des déflecteurs, veuillez soit :

- Faire ramoner la cheminée.
- Enlever les déflecteur et dégager les débris.

Pour faire des retouches de peinture, une peinture pour retouches en aérosol est disponible. Contactez votre détaillant Stovax en mentionnant le numéro de série qui se trouve sur la fiche signalétique de l'appareil.

Ne pas utiliser de nettoyant en aérosol près d'un poêle allumé.

NETTOYAGE DE LA VITRE

Pour éviter que la vitre se salisse, utiliser correctement le dispositif d'air de nettoyage et des combustibles de bonne qualité.

Il est parfois nécessaire de procéder à de plus amples opérations de nettoyage.

Avant de procéder, laisser l'appareil refroidir complètement. Ne pas nettoyer la vitre lorsqu'elle est chaude.

Sur les appareils dotés d'une vitre sérigraphiée ne pas utiliser de nettoyants très alcalins ou acides tels car ces produits de nettoyage agressifs sont conçus pour une utilisation sur des vitres transparentes très sales. Sur les surfaces en verre sérigraphié, utilisez le Nettoyant vitres Stovax (Stovax n° 4103). Sa formule est mieux adaptée à cette opération.

Avant d'appliquer tout produit de nettoyage, retirer la poussière et la suie non incrustée à l'aide d'un chiffon humide.

Utiliser un nettoyant pour vitres approprié. Imprégner un chiffon de liquide de nettoyage avant de l'appliquer sur la vitre.

Procéder soigneusement, sans appliquer de quantité excessive de produit. Essayer d'éviter tout écoulement du produit : celui-ci pourrait imprégner les joints d'étanchéité tout autour de la vitre. La suie peut également contenir des particules acides ayant un effet corrosif néfaste sur le verre sérigraphié.

Retirer les salissures à l'aide d'un chiffon humide puis essuyer jusqu'à ce que la surface soit sèche.

Certains types de bois peuvent occasionner la formation de résidus blancs sur le verre.

Dans ce cas, il est nécessaire de nettoyer ces résidus au moins une fois par semaine au cours des périodes d'utilisation intensive.

Si les agents nettoyants liquides recommandés ne parviennent pas à éliminer ces résidus, Stovax propose un tampon de nettoyage à sec qui contribuera à l'élimination des taches incrustées.

Avant de rallumer l'appareil, s'assurer que la vitre est complètement sèche.

Si le joint d'étanchéité a absorbé l'excédent de produit nettoyant, il est conseillé de remplacer la corde dès que possible afin de préserver l'aspect sérigraphié de la vitre.

RAMONAGE DE LA CHEMINÉE

Pour assurer un fonctionnement efficace du poêle en toute sécurité, la cheminée et le conduit de fumée doivent être ramonés au moins deux fois par an par un technicien qualifié.

Si l'appareil est utilisé constamment tout au long de l'année, ou s'il est utilisé pour brûler du bois, il est recommandé de ramoner plus souvent.

La meilleure période pour effectuer le ramonage est au début de la saison froide.

La cheminée, le conduit de fumée et les branchements du conduit sur le poêle le cas échéant, doivent être régulièrement nettoyés.

S'assurer de l'accessibilité adéquate des portes de nettoyage s'il n'est pas possible de ramoner par la cheminée.

Si la cheminée a été auparavant utilisée avec un foyer ouvert, elle doit être ramonée une deuxième fois après un mois d'utilisation régulière suivant son installation.

DÉTECTEURS-AVERTISSEURS DE CO

Tous les appareils ouverts peuvent être affectés par des conditions atmosphériques temporaires capables de repousser la fumée dans la maison. Nous recommandons, lors de l'installation dans une habitation d'un nouvel appareil ou d'un appareil de chauffage de remplacement à bois ou multi-combustible qu'un détecteur-avertisseur de CO soit installé dans la même pièce que l'appareil. La présence d'une alarme ne doit pas être considérée comme un substitut pour une bonne installation et un entretien et une maintenance régulière de l'appareil et de la cheminée.

UTILISATION SAISONNIÈRE

Nettoyer et réviser le poêle s'il ne doit pas être utilisé pendant la saison chaude, conformément aux instructions de la section Maintenance et révision.

Ouvrir les commandes d'air à 50% pour assurer la ventilation de l'intérieur du poêle et éviter la formation de condensation.

Avant de rallumer le poêle :

- Retirer les déflecteurs.
- Enlever tous les débris qui auraient pu s'accumuler.
- Vérifier que le conduit de fumée n'est pas obstrué.

EXTRAS EN OPTION

KIT D'APPROVISIONNEMENT EN AIR EXTÉRIEUR

Cet appareil peut être équipé d'un kit optionnel aidant à approvisionner l'appareil en air venant de l'extérieur. Pour connaître les procédures d'installation et de fonctionnement, veuillez vous reporter aux instructions fournies avec le kit d'approvisionnement en air extérieur.

KIT D'AIR CHAUD

Cet appareil peut être équipé d'un kit optionnel d'air chaud qui aide à faire circuler l'air vers d'autres pièces de la maison.

Afin de respecter les règlements en matière de construction, il est possible qu'il faille installer un système de ventilation supplémentaire.

La conduite doit être installée au moment de l'installation. Pour connaître les procédures d'installation et de fonctionnement, veuillez vous reporter aux instructions fournies avec le kit de conduite d'air chaud.

DÉPANNAGE

Fonctionnement – Démarrage et entretien difficiles du feu

- Veiller à ce que l'humidité du bois utilisé soit inférieure à 20 %.
- Chauffer le conduit à travers le poêle à l'aide d'un chalumeau ou de journaux.
- Veiller à ce que tous les réglages d'air fonctionnent correctement.
- Ouvrir une fenêtre proche pour tester le flux d'air dans la pièce.
- Veiller à ce que les voies d'air et le conduit soient ramonés et en bon état. Tout blocage total ou partiel affectera les performances de l'appareil.
- Relire les instructions d'allumage et veiller à respecter la bonne procédure, y compris la quantité de combustible.

Noircissement de la vitre

Il y aura toujours une décoloration de la vitre lorsque du bois et du combustible solide sont brûlés. Toutefois, une accumulation excessive peut être provoquée par :

- Le bois dont l'humidité est supérieure à 20 % aura une mauvaise combustion, entraînant des fumées, du goudron et de la créosote.
- Une basse température de combustion. Le tirage du conduit est alors insuffisant, conduisant à une mauvaise combustion et un feu qui produit plus de fumée.
- Un mauvais ravitaillement conduisant à un feu insuffisant ou touchant la vitre.

Odeur excessive de fumée

- Les conditions météorologiques peuvent entraîner un vent soufflant dans la cheminée lorsqu'il vient d'une certaine direction.
- La porte restée ouverte lorsqu'il reste beaucoup de flammes dans le foyer.

Les pièces ont décoloré

- Pour laisser le poêle se stabiliser et les colles de fixation et la peinture sécher entièrement, faire fonctionner le poêle à basse température pendant les premiers jours.
- Ne pas toucher à la peinture au cours de la première période d'utilisation.
- Au cours de cette période, l'appareil peut dégager des odeurs désagréables. Garder la pièce bien aérée pour éviter l'accumulation de fumées.
- Veuillez noter que la peinture et les tresses d'étanchéité peuvent se décolorer pendant l'utilisation. Ceci est parfaitement normal.

Problèmes relatifs à la garantie – consulter la brochure livrée avec votre appareil pour connaître les modalités complètes de la garantie.

En cas de problème avec votre poêle ou cheminée, toute réclamation doit être, en premier lieu, déposée auprès du détaillant expert chez qui le produit a été acheté. Votre détaillant expert pourra soit vous assister immédiatement, soit après une visite, contacter Stovax pour vous. Pour bénéficier d'un appel de service, Stovax aura besoin d'une preuve d'enregistrement, des documents de mise en service et de l'historique de l'entretien le cas échéant (l'historique de l'entretien est nécessaire pour tous les produits de plus de 12 mois). Toute réclamation au titre de la garantie sans les renseignements nécessaires sera renvoyée à votre détaillant expert auprès duquel vous avez effectué l'achat.

EXIGENCES LÉGALES

Avant de procéder à l'installation ou d'utiliser cet appareil, veuillez lire l'ensemble de ces instructions avec attention de manière à bien les comprendre.

L'insert doit être installé par un technicien agréé ou approuvé par l'autorité des bâtiments.

Il est très important de connaître les spécifications de la construction des bâtiments et les normes, ainsi que la réglementation locale et les bonnes pratiques applicables. En cas de conflit entre ces instructions et la réglementation en vigueur, cette dernière s'applique.

L'autorité locale des bâtiments peut offrir des conseils sur les exigences de cette réglementation.

PRÉCAUTIONS DE SANTÉ ET DE SÉCURITÉ

Les travaux doivent être effectués en prenant soin de se conformer aux normes d'hygiène et de sécurité et à toute nouvelle réglementation introduite après la publication de ces instructions. Il faut porter une attention particulière sur:

- **Manutention:** Le poêle pèse lourd. Des facilités adéquates doivent être disponibles pour le chargement, le déchargement et la manipulation sur site.
- **Ciment réfractaire:** Certains ciments réfractaires sont caustiques et ne doivent pas entrer en contact avec la peau. Il faudra alors porter des gants de protection. Se laver les mains à grande eau après un contact avec la peau.
- **Amiante:** Ce poêle ne contient pas d'amiante. S'il y a possibilité quelconque d'avoir à traiter de l'amiante pendant l'installation, demander conseil à un spécialiste et utiliser des équipements appropriés.
- **Pièces métalliques:** Prendre soin en installant ou en révisant le poêle de ne pas se blesser.

Une mauvaise installation peut être dangereuse pour les résidents et la structure du bâtiment.

Pour les utilisateurs de cet insert:

Votre compagnie d'assurance du bâtiment exige probablement d'être informée de l'installation d'un nouvel appareil de chauffage. Vérifier que la police d'assurance est toujours valide après l'installation de l'appareil.

Alimentation en air de combustion:

Cet appareil requiert une alimentation d'air constante pour maintenir une combustion correcte et une performance efficace du conduit de fumée. Une alimentation d'air inadéquate peut entraîner une mauvaise combustion et provoquer un refoulement de fumée dans la pièce potentiellement dangereux.

Cette alimentation d'air peut provenir soit:

- D'une ventilation pourvue spécifiquement à cet effet.
- Certains appareils Stovax peuvent aussi être équipés d'un kit de ventilation proposé en option qui aspire l'air de l'extérieur.

La quantité d'air requise doit être conforme à la réglementation locale et aux lois en vigueur.

En cas de détection de refoulement de fumée pendant la mise en service, il se peut que la ventilation naturelle soit insuffisante et qu'une source supplémentaire d'alimentation d'air soit nécessaire.

Les grilles de ventilation permanentes doivent être fixes et non réglables et positionnées dans un endroit où elles ne pourront pas être obstruées.

Des ventilateurs et des hottes d'extraction peuvent être installés dans la même pièce que l'appareil manifesté:

Cela est autorisé sous réserve:

- soit la hotte est à recyclage.
- soit la hotte n'est pas susceptible de provoquer une dépression suffisante pour entraîner une inversion de tirage du conduit - prise en compte dans le dimensionnement du conduit de fumée selon la NF EN 13384-1.
- soit l'appareil a une amenée d'air canalisée depuis l'extérieur et fonctionne exclusivement portes fermées.

Aérosols

Ne pas utiliser de nettoyant en aérosol près d'un poêle allumé.

Matériaux Combustibles

Ne pas poser de photos, un écran de télévision, des tableaux, des articles en porcelaine ou autres matériaux combustibles sur le mur ou près du poêle. Leur exposition à une haute température peut les endommager.

AVERTISSEMENT: Le carburant supplémentaire ne doit pas être stocké sur ou à côté de l'appareil. Gardez seulement suffisamment de combustible pour une utilisation immédiate à proximité et ne laissez jamais l'appareil sans surveillance pendant de longues périodes avec des matériaux combustibles à proximité.

ÂTRE

L'appareil doit reposer sur un âtre non combustible de 125 mm d'épaisseur construit à cet effet.

Si cet appareil est installé en position élevée, il est recommandé, pour une question de sécurité, d'avoir un âtre de 225 mm d'épaisseur, en cas de chute de bûches ou de braises. Plus l'appareil est élevé et plus les dimensions de l'âtre doivent être importantes pour protéger le sol.

La résistance à la charge du bâtiment doit être suffisante pour supporter l'âtre et le poêle. Consulter un technicien qualifié avant de procéder à l'installation.

Certaines maisons sont construites avec une ossature en bois et possèdent des niveaux élevés d'isolation thermique. Isoler l'appareil des matériaux combustibles, et procurer une ventilation suffisante pour maintenir une efficacité thermique.

MISE EN SERVICE ET REMISE

Assurez-vous que toutes les pièces sont montées conformément aux instructions.

À la fin de l'installation, laissez sécher le ciment et le mortier pendant une période appropriée avant d'allumer le poêle. Une fois l'appareil en marche, vérifiez que tous les joints d'étanchéité sont en bon état et vérifiez que le conduit de fumée fonctionne correctement et que tous les produits de combustion sont évacués en toute sécurité dans l'atmosphère via le terminal de cheminée. Une fois l'installation et la mise en service terminées, assurez-vous que le mode d'emploi de l'appareil est laissé au client. Assurez-vous d'informer le client de l'utilisation correcte et de lui avertir de n'utiliser que le combustible recommandé pour l'appareil.

Indiquez à l'utilisateur ce qu'il faut faire si de la fumée ou des vapeurs sont émises par l'appareil.

Le client doit être averti d'utiliser un pare-feu conforme à la norme BS 8423: 2002 en présence d'enfants, de personnes âgées et / ou infirmes.

CONDUIT DE FUMÉE OU CHEMINÉE

Le conduit de fumée ou la cheminée doivent être en bon état. Ils doivent être inspectés par un technicien compétent et homologués pour utilisation avec le poêle avant son installation.

Les gaz de combustion qui pénètrent dans la pièce peuvent présenter des risques graves pour la santé.

Les vérifications suivantes doivent être effectuées:

- La construction des cheminées en maçonnerie, les cheminées en parpaings et le conduit de fumée doivent être conformes aux normes de construction.
- Un conduit interne flexible doit être utilisé s'il est certifié pour utilisation avec les poêles à combustible solide et si l'installation est conforme aux instructions du fabricant et à la réglementation sur la construction des bâtiments.
- S'il est nécessaire d'installer un faux plafond, il doit être conforme aux normes de construction des bâtiments.
- La hauteur minimale du conduit ou de la cheminée doit être de 4,50 m de l'âtre à la partie supérieure du conduit, sans sections horizontales, avec un maximum de 2 coudes d'un angle inférieur à 45° sur le conduit de raccordement et un maximum de 2 coudes d'un angle inférieur à 45° sur le conduit de fumée.
- Il devrait y avoir au moins 600mm de conduit d'évacuation vertical au-dessus de l'appareil avant tout coude.
- S'assurer que le conduit d'évacuation connecté soit positionné à une distance raisonnable de tout matériau combustible
- L'installateur doit s'assurer que le diamètre du conduit ne soit pas inférieur au diamètre de la bouche de sortie de l'appareil et ne soit pas inférieur à la moitié de la taille de la bouche de sortie en tout point du système.
- S'assurer que le conduit d'évacuation connecté ne fasse pas partie de la structure de soutènement du bâtiment.
- Penser à prévoir le démontage du poêle sans avoir besoin de démonter la cheminée.

- Tout conduit existant doit être confirmé et être approprié pour sa nouvelle utilisation conformément aux normes de construction des bâtiments.
- Le conduit de fumée et la cheminée doivent être inspectés et ramonés pour confirmer que le système est structurellement intact et libre de toutes obstructions.
- Si l'emplacement du poêle a été précédemment utilisé avec un foyer ouvert, la cheminée doit être ramonée une seconde fois après un mois d'utilisation régulière après l'installation pour éliminer la suie qui a pu se détacher et tomber à cause de la différence de température de combustion.
- La sortie du conduit du bâtiment doit être conforme à la réglementation locale.
- Ne pas connecter ou partager le même conduit ou la même cheminée avec un autre appareil de chauffage.

Ne pas connecter le conduit à des systèmes comprenant des grands espaces vides ou excédant 230mm de côté.

Il faut aussi prévoir un accès approprié pour récupérer et enlever les débris éventuels.

Le conduit de fumée doit être ramoné et inspecté lorsque le poêle est installé.

Tirage dans le conduit

Vérifier le tirage du conduit lorsque toutes les fenêtres et les portes sont fermées et que tous les ventilateurs extracteurs dans la pièce et les pièces adjacentes fonctionnent à leur vitesse maximum. (Voir section suivante pour les dispositifs de ventilation supplémentaire requis).

INFORMATIONS MATÉRIELLES DU PRODUIT

Les substances, préparations ou composants suivants doivent être éliminés ou revalorisés séparément des autres DEEE, conformément à l'article 4 de la Directive 75/442/CEE du Conseil de l'Union européenne.

Métal	Acier	Vous pouvez remettre ces éléments à votre centre de recyclage local pour les réutiliser et réduire le volume de déchets envoyés dans les sites d'enfouissement.
	Fonte	
Verre		Vous pouvez remettre ces éléments à votre centre de recyclage local pour les réutiliser et réduire le volume de déchets envoyés dans les sites d'enfouissement.
Revêtement en vermiculite		Matériau non dangereux. La vermiculite peut être broyée et utilisée comme substrat pour vos plantes tandis que les cendres peuvent être utilisées comme compost ou remises à votre centre de recyclage local pour les réutiliser et réduire le volume de déchets envoyés dans les sites d'enfouissement.
Tresses d'étanchéité		Les joints d'étanchéité sont fabriqués en fibres céramiques réfractaires (FCR), un matériau couramment utilisé dans ce type d'application. Nul besoin d'utiliser des vêtements de protection lorsque vous manipulez ces articles, toutefois il est recommandé de suivre les règles d'hygiène habituelles, c'est-à-dire ne pas fumer, ni manger ni boire sur le lieu de travail et toujours se laver les mains avant de manger ou de boire. Lorsque vous réalisez l'entretien de l'appareil, nous vous recommandons de ne pas briser les pièces remplacées mais plutôt de les mettre dans un sac en polythène ultrarésistant, scellé et portant l'étiquette « déchets FCR ». Les déchets FCR sont catégorisés comme des déchets dangereux stables et non réactifs, et peuvent être mis au rebut dans un site d'enfouissement agréé.
Composants électriques	(Kits de ventilateur, etc., le cas échéant)	Mettez-les au rebut dans votre centre de recyclage local, conformément à la directive DEEE.

INDICAZIONI GENERALI

IMPORTANTE

DURANTE IL FUNZIONAMENTO, LA CASSAFORMA ESTERNA E IL PANNELLO ANTERIORE IN VETRO DIVENTANO MOLTO CALDI. IN CASO DI CONTATTO, SUSSISTE IL RISCHIO DI LESIONI E USTIONI. SI CONSIGLIA DI UTILIZZARE UNA PROTEZIONE PARAFUOCO CONFORME ALLA NORMATIVA BS 8423 (ULTIMA EDIZIONE) IN PRESENZA DI BAMBINI, PERSONE ANZIANE O INVALIDI.

Non tentare di bruciare rifiuti in questo apparecchio.

Leggere attentamente queste istruzioni prima dell'installazione o dell'utilizzo. Conservarle in un luogo sicuro; potrebbero servire in futuro o durante l'assistenza.

La scheda di messa a punto a pagina 3 di queste istruzioni deve essere compilata dall'installatore.

Prima dell'installazione e/o dell'utilizzo dell'apparecchio leggere attentamente le presenti istruzioni nella loro integrità per assicurarsi di comprendere tutte le indicazioni in esse contenute.

L'apparecchio deve essere montato da un installatore certificato o approvato dal funzionario locale addetto al controllo degli edifici.

Durante l'installazione dell'apparecchio è necessario rispettare tutte le normative locali, incluse quelle che fanno riferimento agli standard nazionali ed europei.

Utilizzare solo per il riscaldamento domestico rispettando queste istruzioni operative.

Utilizzare solo combustibili approvati. Non versare combustibili liquidi né utilizzare come inceneritore.

Le superfici dell'apparecchio diventano roventi durante il funzionamento. Utilizzare un adeguato parafuoco in presenza di bambini, anziani o invalidi.

Stovax offre sistemi parafuoco, parascintille e griglie di protezione. Le informazioni relative a questi prodotti sono disponibili presso i rivenditori Stovax.

Non collocare fotografie, TV, quadri, oggetti in porcellana o altri materiali combustibili sulla parete o vicino all'apparecchio. L'esposizione a temperature elevate è dannosa. Non collocare mobili o altri oggetti come abiti da asciugare davanti all'apparecchio a meno di un metro di distanza.

ATTENZIONE: non riporre il combustibile di riserva sulla stufa o accanto a essa. Tenere nelle vicinanze della stufa solo il combustibile necessario per l'utilizzo immediato. Non lasciare mai la stufa incustodita con materiale combustibile nelle sue immediate vicinanze.

Non collocare ventole di estrazione o cappe nella stessa camera o nello stesso ambiente, in quanto che ciò può provocare l'emissione di fumi nell'ambiente da parte dell'apparecchio.

Non ostruire la ventilazione interna o esterna necessaria per l'utilizzo sicuro di questo apparecchio.

Non apportare modifiche non autorizzate all'apparecchio.

Il camino deve essere spazzato almeno una volta all'anno.

Non collegare né condividere lo stesso camino o canna fumaria con un altro apparecchio.



IMPORTANTE: Stovax fornisce dei guanti speciali per proteggere gli utilizzatori da calore e bordi taglienti quando si utilizza l'apparecchio. Per ragioni di sicurezza è bene indossare sempre i guanti quando si aprono, azionano, alimentano o manipolano parti metalliche.

AVVERTENZA



Se la stufa viene installata, utilizzata e sottoposta a manutenzione in modo corretto, non rilascerà fumi all'interno della stanza. Potrebbero verificarsi episodi occasionali di fumi durante l'eliminazione della cenere e il caricamento del combustibile.

L'emissione permanente di fumo è potenzialmente pericolosa e non può essere tollerata.

Se l'emissione di fumo continua:

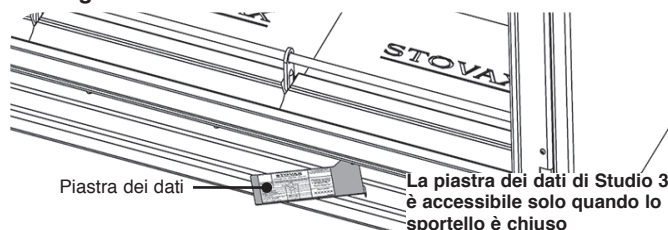
- Aprire le porte e le finestre per ventilare la stanza.
- Uscire dalla stanza.
- Lasciare che la fiamma si estingua o eliminare il combustibile dalla stufa in sicurezza.
- Verificare la presenza di eventuali ostruzioni del camino e, se necessario, pulirlo.
- Non tentare di riaccendere il fuoco fino a quando non viene individuata ed eliminata la causa dell'emissione di fumo.
- Se necessario, richiedere l'intervento di un tecnico.
- Tutte le stufe dotate di canna fumaria aperta risentono delle condizioni atmosferiche temporanee, che possono determinare l'ingresso di fumi nella stanza. Per questo motivo, nella stessa stanza in cui viene utilizzata la stufa, è necessario installare un rilevatore di monossido di carbonio conforme al testo aggiornato della disciplina BSEN50292. La presenza di un rilevatore non deve essere considerata una soluzione in grado di sostituire le attività di manutenzione e riparazione periodiche della stufa e del sistema della canna fumaria.

SE L'ALLARME SUONA, SEGUIRE LE ISTRUZIONI RIPORTATE SOPRA.

NUMERO DI SERIE

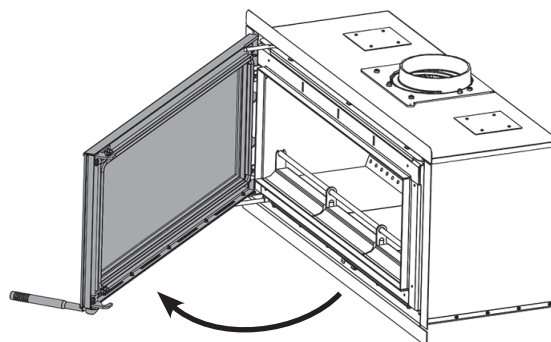
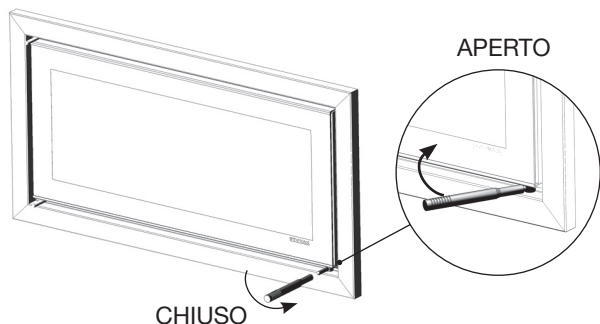
Questo numero è necessario per ordinare parti di ricambio o per richieste di interventi in garanzia.

La targhetta identificativa si trova:

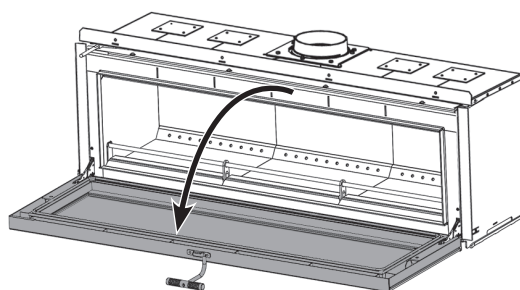
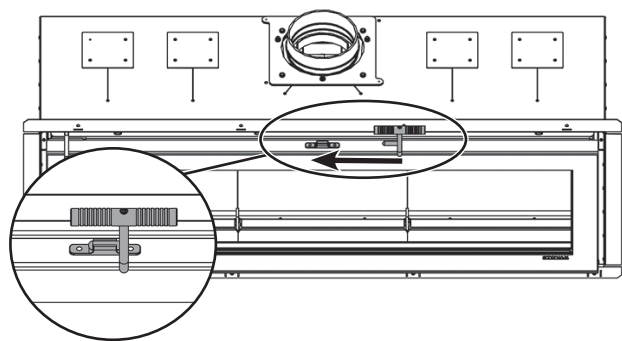


OPERAZIONI PRELIMINARI

APRENDO LO SPORTELLLO - STUDIO 500, 1 & 2



STUDIO 3



PULIZIA DEI RESIDUI DELLA COMBUSTIONE E DELLA STUFA

I prodotti Stovax sono progettati per generare un riscaldamento secondario domestico e sono concepiti per ridurre al minimo le emissioni atmosferiche generate dalla combustione della legna. Tuttavia, occorre utilizzare la seguente tecnica di accensione e combustibile di buona qualità per ottimizzare l'avvio della stufa e portare il canale da fumo alla temperatura di esercizio.

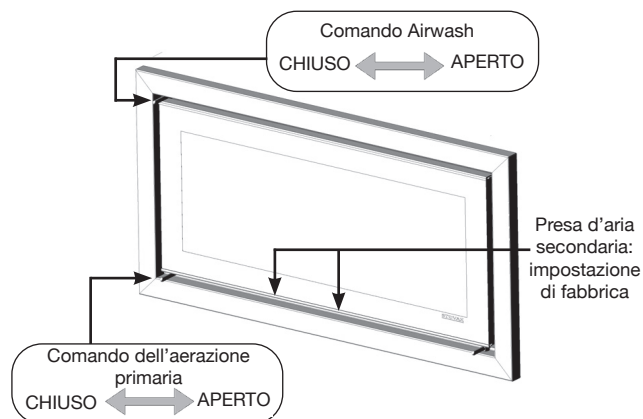
Stovax consiglia all'utilizzatore di informarsi sul funzionamento del camino, sul tipo corretto di legna stagionata e sui metodi di impilaggio al fine di ottimizzare le prestazioni dell'apparecchio.

Una combustione pulita ed efficace si ottiene grazie a condizioni di tiraggio del canale da fumo corrette e alla qualità del combustibile utilizzato. L'esperienza vi aiuterà a definire le impostazioni preferite di utilizzo e a garantire un consumo di combustibile ottimale.

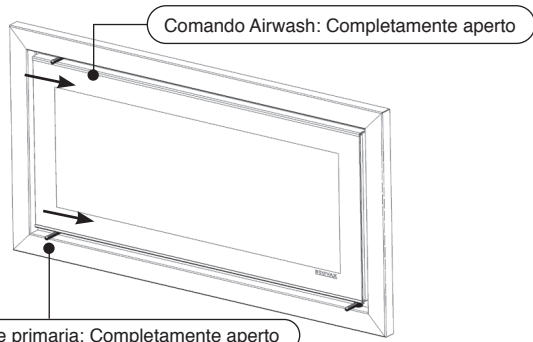


COMANDI DELL'AERAZIONE

- Impostare i comandi dell'aria al 50% per mantenere l'apparecchio ventilato e impedire la formazione di umidità al suo interno quando non si utilizza l'apparecchio per lunghi periodi di tempo.
- Se nella scatola di combustione sta bruciando ancora del legname non spegnere i comandi dell'aria completamente salvo in presenza di fuoco nella canna fumaria.
- La chiusura dei comandi durante il processo di combustione potrebbe causare una scarsa combustione e portare alla formazione di gas che potrebbero incendiarsi pericolosamente.
- Assicurarsi sempre che entri abbastanza aria nella stufa per mantenere alcune fiamme all'interno della scatola di combustione.
- Prima di chiudere i comandi dell'aria occorre spegnere l'apparecchio e poi impostare un valore elevato fino a quando tutto il combustibile è stato bruciato.

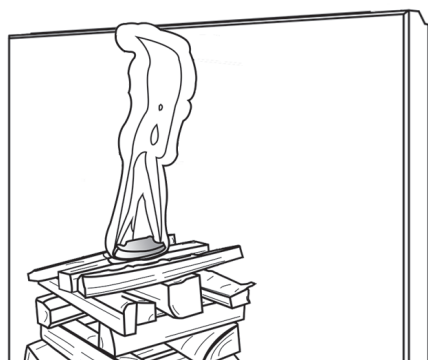
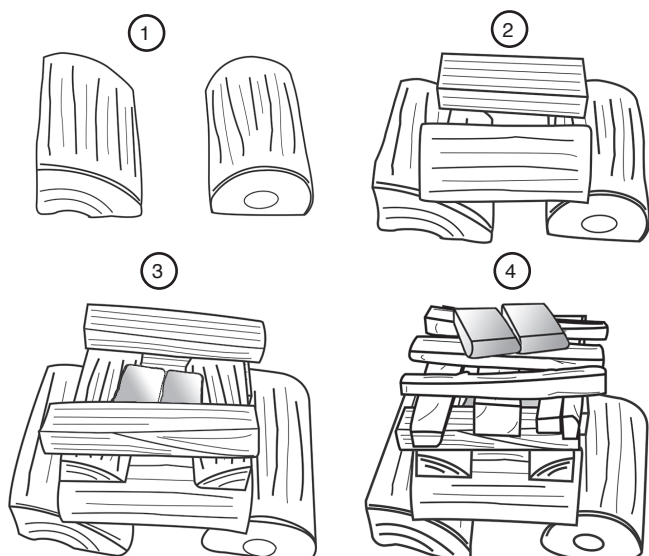


ACCENSIONE



Per creare un accatastamento aperto per un accensione dall'alto verso il basso:

- Posizionare due ceppi di dimensioni medie in parallelo sulla base della scatola di combustione.
- Posizionare due ceppi più piccoli nella parte superiore, in parallelo rispetto ai ceppi inferiori
- Continuare ad accatastare usando ceppi più piccoli e posizionare gli accendifuoco al centro.
- Posizionare al termine della catasta due ulteriori ceppi e posizionarli sopra gli accendifuoco. Aggiungere una piccola quantità di legna da fuoco, se necessario..



NOTA: L'accensione è indispensabile per consentire al focolare di raggiungere rapidamente la corretta temperatura di esercizio. L'avvio errato può portare a un fumo eccessivo e allo spegnimento del fuoco quando la porta è chiusa. Un fuoco di successo inizialmente richiede molta accensione per stabilire un focolare caldo e riscaldare il camino per favorire le prestazioni della canna fumaria.

Accensione:

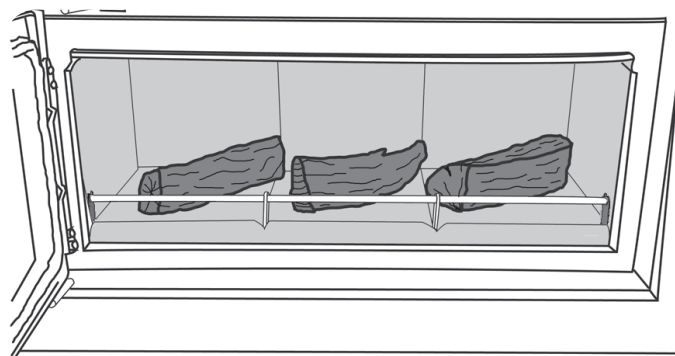
Legna finemente tritata
Lunghezza 250mm
Diametro: 20 mm
Peso per illuminazione: 2,0 kg (circa 8-12 pezzi tritati finemente)

Chiudere immediatamente la porta per evitare che prodotti della combustione in eccesso entrino nel locale.

Utilizzare solo ceppi tagliati e non pezzi di legno interi. Troppo combustibile nella camera di combustione determina il raggiungimento di temperature più alte di quelle previste. Questa eventualità può danneggiare i componenti interni della stufa.

Carichi consigliati:

Studio 500 - 2/3 ciocchi con un diametro non superiore a 80 mm
Studio 1 & 2 - 3/4 ciocchi con un diametro non superiore a 127 mm
Studio 3 - 3/4 ciocchi con un diametro non superiore a 127mm



Chiudere lo sportello e seguire le istruzioni per il Funzionamento dell'apparecchio.

Non lasciare lo sportello aperto per evitare la sovraccensione con conseguente danneggiamento dell'apparecchio.

ATTENZIONE: NON UTILIZZARE LA STUFA CON LA FUNZIONE DI CONTROLLO DELL'ARIA PRINCIPALE APERTA PER LUNGI PERIODI DI TEMPO PER EVITARE UNA COMBUSTIONE ECCESSIVA E CAUSARE DANNI IRREVERSIBILI.



Per consentire l'apparecchiatura si assesti e che la colla e la vernice si asciugino opportunamente, per i primi giorni far funzionare l'apparecchiatura a basso regime.

Non toccare la vernice durante il primo periodo di utilizzo.

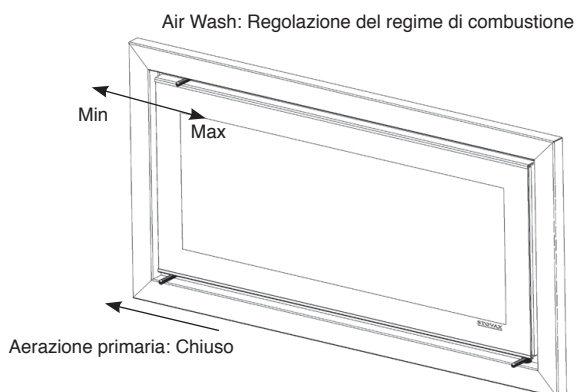
Durante questo periodo potrebbe emettere cattivi odori. Aerare bene l'ambiente per evitare che i fumi si accumulino.

Le guarnizioni possono scolorire durante l'utilizzo. Ciò non rappresenta un difetto del prodotto.

UTILIZZO DELL'APPARECCHIO

UTILIZZO DEL LEGNO COME COMBUSTIBILE

Chiudere il comando dell'aerazione primaria e utilizzare l'Airwash per regolare la velocità di combustione quando l'apparecchio ha raggiunto la temperatura di esercizio



Il legno brucia meglio se collocato su un letto di cenere (circa 25mm di profondità).

Non bruciare grandi quantità di combustibile con la funzione di controllo del flusso dell'aria chiusa per lunghi periodi di tempo. Questo riduce l'efficacia della pulizia del vetro della funzione e crea accumuli di catrame e creosoti all'interno della stufa e del sistema della canna fumaria.

Durante l'utilizzo, l'esercizio dell'apparecchio a regime elevato per brevi periodi riduce la formazione di creosoto e depositi minerali.



ATTENZIONE: NON UTILIZZARE LA STUFA CON LA FUNZIONE DI CONTROLLO DELL'ARIA PRINCIPALE APERTA PER LUNGI PERIODI DI TEMPO PER EVITARE UNA COMBUSTIONE ECCESSIVA E CAUSARE DANNI IRREVERSIBILI.

Con l'esperienza si potranno regolare le impostazioni in base alle proprie esigenze.

RIFORNIMENTO CARBURANTE

Aprire completamente i controlli Aria primaria e Airwash.

Distribuire uniformemente la brace sul piano di combustione per far sì che si accenda. Se il piano di combustione è basso, aggiungere una piccola quantità di rametti per ravvivare il fuoco.

Non aggiungere combustibile quando nella camera di combustione vi sono già molte fiamme, per evitare la produzione di fumi o la fuoriuscita di fiamme.

Chiudere immediatamente gli sportelli dopo aver aggiunto il combustibile.

Queste apparecchi sono di grandi dimensioni e i ciocchi vanno collocati in un singolo strato avendo cura di lasciare dello spazio tra un ciocco e l'altro.

Non impilare i ciocchi uno sull'altro, per non diminuire l'efficienza di combustione.

NON SOVRACCARICARE L'APPARECCHIO: UN ECCESSIVO CARICAMENTO PUÒ CAUSARE SOVRALIMENTAZIONE.

Dopo aver aggiunto combustibile:

Far bruciare i nuovi ciocchi ad alto regime per qualche minuto prima di chiudere il controllo Aria primaria. Regolare il regime di combustione servendosi del controllo dell'Airwash.

Non chiudere i controlli dell'aria fino a che il fuoco non è completamente acceso.

Non bruciare molto troppo combustibile con il controllo Airwash chiuso per periodi protratti. Questo riduce l'effetto di pulizia del vetro e determina l'accumulo di catrame e creosoti nell'apparecchio e nella canna fumaria producendo una quantità eccessiva di fumi.

Quando l'apparecchio è in funzione, **aggiungere combustibile poco a poco ma spesso, per ottenere una combustione pulita ed efficiente.**

Una camera di combustione luminosa e pulita indica un corretto funzionamento dell'apparecchio.

Non bruciare continuamente combustibile con lo sportello aperto.

COMBUSTIBILI CONSIGLIATI

CEPPI DI LEGNO

Bruciare solo legna secca con un'umidità inferiore al 20%. La legna dovrebbe essere tagliata e lasciata essiccare per un periodo compreso tra i 12 e i 18 mesi.



Il legno di scarsa qualità:

- Causa una combustione a basso rendimento
- Produce condensazione pericolosa
- Riduce l'efficacia dell'Airwash e la durata dell'apparecchio

Non bruciare legname da costruzione, legno verniciato, legno impregnato/trattato, assi lavorate o legno dei pallet.

Consumo di combustibile.

Test eseguiti a rendimento calorico nominale in conformità alla norma EN 13229: 2001 sul funzionamento intermittente:

Descrizione	Consumo di carburante
	Kg/ora di legno
Studio 500	1.62
Studio 1	1.6
Studio 2	2.4
Studio 3	4.0

Sono diversi i fattori che possono influire sulle prestazioni della stufa. Per i dettagli, vedere la sezione *Risoluzione dei problemi*.

COME SCEGLIERE IL COMBUSTIBILE:

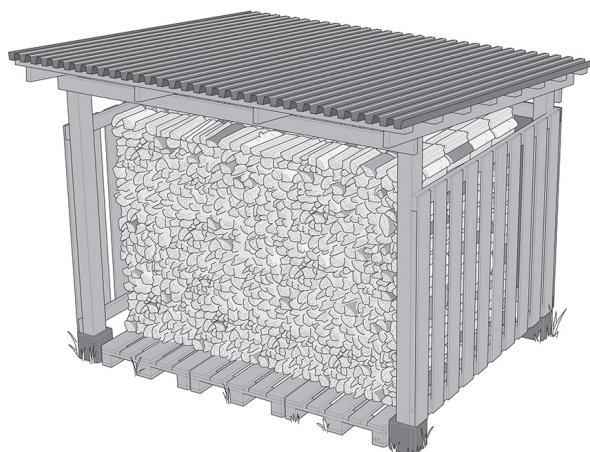
Si può utilizzare qualsiasi tipo di legna per alimentare l'apparecchio. Tipi diversi di legna hanno densità diverse: maggiore la densità della legna maggiore sarà il suo valore energetico. Rovere, betulla e faggio hanno i valori più alti.

Il contenuto ideale di umidità per la legna pronta da ardere è inferiore al 20%.

Se la legna è troppo umida, sarà difficile da bruciare, arderà poco, genererà una quantità ridotta di calore e intaserà di catrame il canale da fumo.

Poiché può sviluppare un incendio nella canna fumaria è importante bruciare legna sufficientemente essiccata.

La legna essiccata offre una maggiore emissione di calore, evita l'annerimento del vetro dell'apparecchio e riduce al minimo la formazione di fuliggine nella canna fumaria o nel canale da fumo. Una maggiore emissione di calore significa meno combustibile.

CONSERVAZIONE DELLA LEGNA:

Per assicurare una corretta essiccazione della legna, tagliarla in inverno e conservarla al coperto lasciando molto spazio intorno per garantire la circolazione dell'aria.

Non coprirla completamente, lasciare un po' spazio in modo che l'aria possa circolare attorno alla legna. Non sigillare.

Portare in casa la legna che si intende utilizzare e conservarla per alcuni giorni prima di bruciarla per essere sicuri di aver ridotto in maniera sufficiente l'umidità.



Non bruciare legname da costruzione, legno verniciato, legno impregnato/trattato, assi lavorate o legno dei pallet.

RIMOZIONE DELLA CENERE

È possibile ottimizzare la combustione della legna aggiungendo un letto di ceneri. Le nervature in rilievo sulla grata forniscono una buona indicazione della profondità ideale.

Prevenire l'accumulo di cenere all'interno dell'apparecchio, il che influisce sul corretto funzionamento e potrebbe danneggiare l'apparecchio.

Rimuovere la cenere con una paletta (disponibile presso Stovax). Fare attenzione di non danneggiare il rivestimento in ceramica dell'apparecchio. Non utilizzare attizzatoi appuntiti.

Rimuovere la cenere con cautela: il calore può persistere anche molto tempo dopo lo spegnimento.

Inserire con cautela la cenere nel raccogli cenere Stovax .

Non collocare la cenere calda in contenitori di plastica o di altro materiale combustibile.

SOVRACOMBUSTIONE

Una quantità eccessiva di combustibile o un periodo elevato di funzionamento a regime massimo possono causare la sovracombustione.

Attenzione: non utilizzare la stufa con la funzione di controllo dell'aria principale aperta per lunghi periodi di tempo per evitare una combustione eccessiva e causare danni irreversibili.

L'eccessiva combustione può determinare danni permanenti alla stufa e rendere nulla la garanzia del prodotto.

INCENDIO DEL CAMINO

In caso di incendio del camino:

- Chiudere immediatamente tutti i comandi dell'aerazione.
- Evacuare l'edificio.
- Chiamare i vigili del fuoco.
- Non entrare nell'edificio finché non è stato dichiarato lo stato di sicurezza.

Non utilizzare l'apparecchio dopo un incendio del camino finché:

a) **Un installatore certificato non l'abbia controllato e abbia confermato che l'apparecchio può essere utilizzato in sicurezza.**

b) **Uno spazzacamino non abbia ispezionato e pulito il camino e abbia confermato che la struttura è solida e libera da ostruzioni.**

c) **Sia stato adeguatamente riparato prima del riutilizzo.** Utilizzare solo parti di ricambio Stovax originali per mantenere l'apparecchio in condizione operativa sicura ed efficiente.

PULIZIA GENERALE

Pulire e controllare regolarmente l'apparecchio, specialmente in periodi di utilizzo intenso. La manutenzione e la pulizia regolari prolungheranno la durata dell'apparecchio.

Lasciare raffreddare l'apparecchio per evitare il rischio di combustione.

Eseguire le operazioni di pulizia periodicamente in base al livello di utilizzo.

Eliminare completamente la cenere.

Controllare eventuali danni dei componenti interni (grate, mattoncini, pannelli) e l'accumulo di fuliggine, cenere e detriti sui pannelli nella parte superiore della camera di combustione. Se necessario, utilizzare una torcia.

Se si rilevano accumuli di detriti sui deflettori procedere come segue:

- Far pulire il camino.
- Rimuovere i deflettori e ripulire l'ostruzione.

Per aggiornare dipinto finisce un ritocco spray è disponibile. Contattate il vostro rivenditore Stovax citando il numero di serie riportato sul distintivo dati dell'apparecchio.

Non utilizzare spray aerosol nei pressi di un apparecchio in funzione.

PULITURA DEL VETRO

Pulire il vetro utilizzando correttamente il sistema Airwash e combustibile di alta qualità.

A volte potrebbe rendersi necessaria un'ulteriore pulizia. Prima di eseguire questa operazione, attendere il completo raffreddamento dell'apparecchio. Non pulire il vetro caldo.

Sugli apparecchi con vetro stampato non utilizzare agenti detergenti a elevato contenuto alcalino o acido. Questi agenti detergenti aggressivi sono destinati all'uso su vetri trasparenti fortemente macchiati. Sulle superfici di vetro stampato utilizzare Stovax Glass Cleaner (codice Stovax 4103), la cui formulazione è più adatta per questa applicazione.

Prima di applicare un agente detergente, rimuovere eventuali polvere e fuliggine con un panno umido.

Utilizzare un detergente apposito per il vetro. Applicare il liquido di pulizia su un panno prima di strofinare sul vetro.

Applicare con attenzione e non usare una quantità eccessiva di prodotto. Tentare di evitare che il prodotto coli e bagni le guarnizioni intorno al bordo del vetro.

La fuliggine può contenere particelle acide che possono corrodere il vetro stampato.

Rimuovere lo sporco con un panno umido e asciugare tamponando.

Alcuni tipi di legna possono determinare la formazione di residui bianchi sul vetro.

In tal caso, rimuovere i residui almeno una volta a settimana durante i periodi di utilizzo assiduo.

Nel caso in cui risulti impossibile rimuovere i residui con i liquidi pulenti consigliati, Stovax offre una tavoletta per la pulizia a secco che aiuta a rimuovere le macchie pesanti.

Prima di riaccendere l'apparecchio, accertarsi che il vetro sia completamente asciutto.

Se la guarnizione ha assorbito una quantità eccessiva di agente detergente, è consigliabile sostituirla al più presto per preservare la stampatura del vetro.

PULIZIA DEL CAMINO

Per garantire la sicurezza e l'efficienza nell'utilizzo dell'apparecchio, il camino/la canna fumaria devono essere controllati e puliti almeno una volta all'anno da un tecnico qualificato.

Se l'apparecchio è utilizzato di frequente nel corso dell'anno o se lo si utilizza per bruciare legno o combustibile senza fumo, si consiglia una pulitura più frequente.

Il momento migliore per la pulitura del camino è all'inizio della stagione di utilizzo.

Il camino, i tubi della canna fumaria e i condotti della canna fumaria dell'apparecchio, se incorporati, devono essere puliti regolarmente.

Assicurare un adeguato accesso agli sportelli di pulitura nei casi in cui non sia possibile pulire il camino.

Se il camino è stato utilizzato in passato come camino tradizionale, è necessario pulirlo una seconda volta entro un mese di regolare utilizzo dopo l'installazione.

ALLARMI DI MONOSSIDO DI CARBONIO

Le normative edilizie richiedono che, ogni volta che una stufa alimentata con combustibili solidi fissi o legno/biomasse viene installata in un'abitazione, è necessario installare un rilevatore di monossido di carbonio nella stessa stanza della stufa.

La presenza di un allarme non deve essere considerata una soluzione in grado di sostituire un'installazione corretta della stufa o la manutenzione e la riparazione periodiche della stufa e del sistema della canna fumaria.

UTILIZZO STAGIONALE

Pulire e far revisionare l'apparecchio in caso di inutilizzo nella stagione calda come illustrato nelle sezioni Manutenzione e Assistenza.

Impostare i comandi dell'aria con apertura al 50% per assicurare la ventilazione dell'apparecchio e impedire l'accumulo di umidità al suo interno.

Prima di riaccendere l'apparecchio:

- Rimuovere i deflettori.
- Eliminare gli eventuali detriti accumulati.
- Verificare la pulizia della canna fumaria.

ACCESSORI OPZIONALI

KIT DI AERAZIONE ESTERNO

Questo apparecchio può essere dotato di un kit opzionale per aiutare l'immissione dell'aria direttamente dall'esterno. Il kit di aerazione esterno deve essere montato durante l'installazione. Per le procedure di installazione e funzionamento è necessario fare riferimento alle istruzioni fornite con il kit PM361.

KIT DI CONDOTTI DI CONVEZIONE DELL'ARIA

Questo apparecchio può essere dotato di un kit opzionale di condotti di convezione dell'aria per favorire la circolazione dell'aria calda ad altri ambienti della casa.

Questa funzionalità potrebbe richiedere un'ulteriore ventilazione in conformità alle normative edilizie. Prima dell'applicazione è necessario rivolgersi ad un installatore qualificato.

Il kit di condotti deve essere montato durante l'installazione. Per le procedure di installazione e funzionamento è necessario fare riferimento alle istruzioni fornite con il kit di condotti di convezione dell'aria – Stovax n. particolare PM509.

RISOLUZIONE DEI PROBLEMI

Funzionamento - Difficoltà nell'accendere e mantenere vivo il fuoco

- Verificare che la legna utilizzata abbia un'umidità inferiore al 20%.
- Riscaldare il canale da fumo che attraversa la stufa utilizzando un cannello ossidrico o carta di giornale.
- Assicurarsi che i comandi dell'aria funzionino correttamente.
- Aprire una finestra vicino alla stufa per verificare il flusso dell'aria nella stanza.
- Assicurarsi che i condotti dell'aria e il canale da fumo siano puliti e in buone condizioni. Qualsiasi blocco completo o parziale influirà sulle prestazioni dell'apparecchio.
- Rileggere le istruzioni di accensione e assicurarsi di seguire la procedura corretta compresa la quantità di combustibile.

Annerimento del vetro

Durante la combustione di legna e combustibili solidi si verificherà sempre un certo scolorimento del vetro. Tuttavia una formazione eccessiva di cenere può essere causata da:

- Legna con un contenuto di umidità maggiore del 20% determinerà una scarsa combustione e poco fumo, generando catrame e creosoto.
- Una bassa temperatura di combustione. Ciò non creerà un tiraggio sufficiente nel canale da fumo creando una scarsa combustione e fiamme che generano più fumo.
- Alimentazione/rifornimento non corretti che generano poche fiamme o fiamme che toccano il vetro.

Odore eccessivo di fumo

- In alcune condizioni atmosferiche il vento potrebbe spegnere la stufa se proviene da determinate direzioni.
- Sportello aperto con fiamme presenti nella scatola di combustione.

Scolorimento di alcune parti

- Per consentire l'assestamento dell'apparecchio e la completa solidificazione di colle di fissaggio e vernici, utilizzare l'apparecchio a una bassa temperatura per i primi giorni.
- Non toccare la vernice durante il primo periodo di utilizzo.
- Durante questo periodo l'apparecchio potrebbe rilasciare alcuni odori sgradevoli. Mantenere ben ventilata la stanza per evitare la formazione di fumi.
- È bene sapere che durante l'utilizzo la vernice e le guarnizioni potrebbero scolorirsi. Questo è normale.

Questioni legate alla garanzia - i termini e le condizioni di garanzia completi sono presenti nel libretto fornito insieme all'apparecchio.

In caso di problemi con la stufa o il caminetto, eventuali richieste devono essere presentate innanzitutto al Rivenditore specializzato da cui è stato acquistato il prodotto. Il Rivenditore specializzato sarà in grado di offrire assistenza immediata oppure, dopo aver effettuato una visita presso di Lei, si metterà in contatto con Stovax a Suo nome. Durante la chiamata di assistenza Stovax Le chiederà la ricevuta della registrazione, i documenti relativi all'avviamento e lo storico dell'assistenza se applicabile (lo storico dell'assistenza è richiesto per tutti i prodotti con oltre 12 mesi di vita). Qualsiasi richiesta in garanzia priva delle necessarie informazioni sarà inoltrata nuovamente al Rivenditore specializzato da cui è stato acquistato il prodotto.

REQUISITI LEGALI

Prima dell'installazione e/o dell'utilizzo dell'apparecchio leggere attentamente le presenti istruzioni nella loro integrità per assicurarsi di comprendere tutte le indicazioni in esse contenute.

L'apparecchio deve essere montato da un installatore certificato o approvato dal funzionario locale addetto al controllo degli edifici.

È molto importante comprendere i requisiti delle normative edilizie nazionali e degli standard relativi, nonché le altre normative locali e le procedure di lavoro applicabili. Nel caso di eventuali conflitti tra queste istruzioni e le relative normative, devono essere applicate le normative.

L'ufficio locale di controllo edilizio può fornire consulenza relativa ai requisiti delle normative.

PRECAUZIONI PER LA SALUTE E LA SICUREZZA

I lavori devono essere eseguiti con cura per soddisfare i requisiti di salute e sicurezza e rispettare le normative di riferimento, nonché eventuali nuove normative introdotte durante il periodo di validità delle presenti istruzioni. Particolare attenzione dovrebbe essere prestata a quanto segue:

- **Manipolazione:** l'apparecchio è pesante. Devono essere disponibili strutture adeguate per il carico, lo scarico e la movimentazione in loco.
- **Cemento refrattario:** alcuni tipi di cemento refrattario sono caustici e non devono entrare in contatto con la pelle. Indossare guanti protettivi. Lavarsi accuratamente le mani con molta acqua dopo il contatto con la pelle.
- **Amianto:** questo apparecchio non contiene amianto. Se durante l'installazione esiste la possibilità che si verifichino problemi di spostamento dell'amianto, richiedere l'assistenza di uno specialista e utilizzare attrezzature adeguate.
- **Parti metalliche:** durante l'installazione o la manutenzione della stufa, prestare attenzione per evitare lesioni personali.

Un'installazione difettosa può causare pericolo agli abitanti e alla struttura dell'edificio.

Per gli utenti di questo apparecchio:

La compagnia di assicurazione stabili potrebbe chiederti di informarti che hai installato un nuovo apparecchio per il riscaldamento. Verificare che la copertura sia ancora valida dopo l'installazione dell'unità.

Alimentazione aria comburente:

Questa stufa richiede un flusso costante di aria per mantenere una combustione corretta e offrire prestazioni della canna fumaria efficaci.

Un flusso inadeguato di aria determina una combustione non sufficiente e provoca fuoriuscite di fumo nella stanza potenzialmente pericolose.

Il flusso di aria può provenire da:

- Ventilazione specifica.
- Alcuni prodotti Stovax possono essere installati con un kit di aria opzionale esterno che consente l'aspirazione dell'aria dall'esterno.

La quantità di aria richiesta deve soddisfare i regolamenti edilizi locali.

Se vengono rilevate perdite, la ventilazione naturale potrebbe essere insufficiente e richiedere un flusso d'aria aggiuntivo.

Le prese d'aria permanenti devono essere non regolabili e posizionate dove è improbabile che rimangano bloccate.

Le ventole di aspirazione o le cappe da cucina non devono essere collocate nella stessa stanza o spazio, poiché ciò potrebbe causare l'emissione di fumi nell'ambiente dell'apparecchio.

Spray per aerosol

Non utilizzare uno spray aerosol sopra o vicino all'apparecchio quando è acceso.

Materiali combustibili in casa

Non collocare fotografie, TV, quadri, oggetti in porcellana o altri materiali combustibili sulla parete o vicino all'apparecchio. L'esposizione a temperature elevate è dannosa. Non collocare mobili o altri oggetti come abiti da asciugare davanti all'apparecchio a meno di un metro di distanza.

FOCOLARE

L'apparecchio deve essere posizionato su una suola focolare di materiale non combustibile di almeno 125 mm di spessore con dimensioni minime come da Diagramma.

Dal momento che l'apparecchio può essere installato in posizione elevata, si consiglia di aumentare la profondità della suola a 225 mm perché possa raccogliere in sicurezza ciocchi o braccie in caduta. La profondità del focolare deve essere incrementata in relazione all'altezza di installazione dell'apparecchio per evitare graffi alla pavimentazione.

L'edificio deve disporre di una buona capacità di tolleranza carichi per il focolare e l'apparecchio. Rivolgersi ad un ingegnere strutturale per suggerimenti prima di procedere.

Alcune abitazioni vengono edificate utilizzando una struttura di legno con alti livelli di isolamento termico. Isolare la stufa dai materiali combustibili e predisporre una ventilazione sufficiente per assicurare il mantenimento dell'efficienza del riscaldamento.

MESSA IN SERVIZIO E CONSEGNA

Assicurarsi che tutte le parti siano montate in conformità con le istruzioni.

Ad installazione ultimata attendere un adeguato lasso di tempo per l'asciugatura dell'eventuale cemento refrattario e malta, prima di accendere la stufa. Una volta che l'apparecchio è in funzione verificare l'integrità di tutte le guarnizioni e il funzionamento della canna fumaria.

correttamente e che tutti i prodotti della combustione siano scaricati in modo sicuro nell'atmosfera tramite il terminale del camino.

Al termine dell'installazione e della messa in servizio, lasciare al cliente le istruzioni per l'uso dell'apparecchio. Assicurarsi di consigliare il cliente sull'uso corretto e avvertirlo di utilizzare solo il carburante consigliato per l'apparecchio.

Consigliare all'utente cosa fare in caso di emissione di fumo o esalazioni dall'apparecchio.

Il cliente deve essere avvertito di utilizzare un dispositivo antincendio a norma BS 8423: 2002 in presenza di bambini, persone anziane e / o inferme.

CANNA FUMARIA O CAMINO

La canna fumaria o il camino devono essere in buone condizioni. Devono essere controllati da un tecnico competente e dichiarati idonei per l'utilizzo con l'apparecchio prima dell'installazione.

L'infiltrazione nell'ambiente di prodotti della combustione può essere causa di seri rischi per la salute.

Si consiglia di verificare quanto segue:

- Che la costruzione dei camini in muratura, dei camini a blocchi per canne fumarie e del sistema di collegamento della canna fumaria risponda ai requisiti delle normative edilizie.
- Che sia utilizzato un sistema flessibile di rivestimento per canne fumarie certificato per l'utilizzo con sistemi di combustibile solido e installato in base alle istruzioni del produttore e alle normative edilizie.
La canna fumaria deve essere sostituita quando si sostituisce l'apparecchio a meno che si dimostri che l'apparecchio sia di recente installazione e in buone condizioni.
- Se è necessario installare un dispositivo di controllo del tiraggio, questo deve essere conforme alle normative edilizie.
- L'altezza minima della canna fumaria o del camino deve essere di 4,5 m dal focolare alla parte superiore della canna fumaria, senza sezioni orizzontali, e deve presentare un massimo di 4 curvature con angoli non inferiori a 45°.
- Ci Deve essere di almeno 600 millimetri di canna fumaria verticale sopra l'apparecchio prima dell'introduzione di curve.
- Assicurarsi che la canna fumaria di collegamento sia tenuta alla giusta distanza da qualsiasi tipo di materiale combustibile e non faccia parte della struttura portante dell'edificio.

- L'installatore deve garantire il diametro del tubo fumi non è inferiore al diametro della presa dell'apparecchio e non fa stretto inferiore alla dimensione della presa in qualsiasi punto del sistema.
- Prendere misure per rimuovere l'apparecchio senza necessità di smantellare il camino.
- Eventuali canne fumarie già presenti devono essere dichiarate conformi al nuovo utilizzo come definito delle normative edilizie.
- Se si ritiene che l'apparecchio sia stato precedentemente utilizzato come focolare aperto, il camino deve essere pulito nuovamente entro un mese di utilizzo regolare dopo l'installazione per eliminare l'eventuale fuliggine depositata a causa di una differenza dei livelli di combustione.
- L'uscita della canna fumaria dall'edificio deve essere conforme alle normative edilizie locali.
- Non allacciare né utilizzare in condivisione sistemi di canne fumarie con altri elettrodomestici per il riscaldamento.

Non collegare a sistemi a grandi vuoti.

Garantire un accesso adeguato per la raccolta e l'eliminazione dei detriti.

Pulire e ispezionare la canna fumaria al momento dell'installazione dell'apparecchio.

Tiraggio della canna fumaria

Controllare il tiraggio della canna fumaria tenendo chiuse tutte le finestre e gli sportelli e facendo girare le ventole di estrazione alla massima velocità nell'ambiente interessato o negli ambienti attigui.

INFORMAZIONI SUL MATERIALE DEL PRODOTTO

Le sostanze, i preparati o i componenti seguenti devono essere smaltiti o recuperati separatamente rispetto ad altri RAEE in conformità all'articolo 4 della direttiva del Consiglio dell'UE 75/442/CEE.

Metallo	Acciaio	Possono essere conferiti a un centro di riciclaggio locale per il loro recupero al fine di ridurre la quantità di rifiuti portati in discarica.
	Ghisa	
Vetro		Possono essere conferiti a un centro di riciclaggio locale per il loro recupero al fine di ridurre la quantità di rifiuti portati in discarica.
Rivestimenti in vermiculite		Materiale non pericoloso. La vermiculite può essere frantumata e utilizzata per il substrato delle aiuole e la cenere destinata al compostaggio o portata presso un centro di riciclaggio locale per il suo recupero al fine di ridurre la quantità di rifiuti conferiti in discarica.
Guarnizioni		Le guarnizioni sono realizzate in fibra ceramica refrattaria (FCR), un materiale spesso utilizzato per questa applicazione. Non è necessario indossare indumenti di protezione quando si manipolano questi articoli ma è consigliato attenersi alle normali norme igieniche che prevedono il divieto di fumare, mangiare o bere nell'area di lavoro e di lavarsi sempre le mani prima di mangiare o bere. Durante gli interventi di assistenza sull'apparecchio si consiglia di non smontare i componenti sostituiti ma di sigillarli all'interno di sacchetti di polietilene resistenti e di contrassegnarli come rifiuti FCR. I rifiuti FCR sono classificati come rifiuti pericolosi non reattivi e stabili e possono essere smaltiti in una discarica autorizzata.
Componenti elettrici	(kit di ventole ecc. se applicabile)	Smaltire presso un centro di riciclaggio locale in conformità alla direttiva RAEE.

FOR ENQUIRIES IN THE U.K (EXCLUDING NI):

Stovax Ltd, Falcon Road, Sowton Industrial Estate, Exeter, Devon, England EX2 7LF

Tel: (01392) 474011 E-mail: info@stovax.com

FOR ENQUIRIES IN EUROPE (INCLUDING NI):

Stovax Heating Group Ltd, 40 Linenhall Street, Belfast, BT2 8BA I DX 400 NR Belfast

Tel: +44 (0)1392 261990 E-mail: northernireland@stovax.com

